



KLEEblower

Side channel- & turboblowers

More than 75 years of experience – we know the industry

Brd. Klee Engineering and Trading Company was founded in 1944 and has been listed on OMX (formerly the Copenhagen Stock Exchange) since 1986.

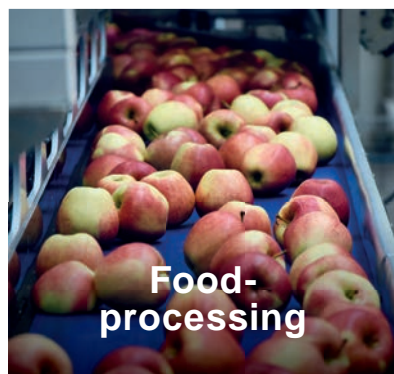
We are located in Greater Copenhagen and offer solutions within technical components and semi-finished products for the industry. Our broad and deep product range is divided into eight areas: Gears & Gearmotors, Motors, Pumps & Blowers, Controls & Electronics, Pneumatics & Hydraulics, Linear Motion Technology, Transmissions, Machine-, DIN- & Norm Parts, Rubber & Plastic.

In our workshop we build and assemble customer-specific solutions, e.g. in special colour, with customer logo or other text. The possibilities are many.

We are approx. 65 employees in Denmark. Our colleagues in our subsidiaries in Taiwan and China focus on sourcing and quality control for our Danish and international customers.



KLEE solutions





KLEE blower CE

KLEE blower CE

KANSALP

KLEEblower

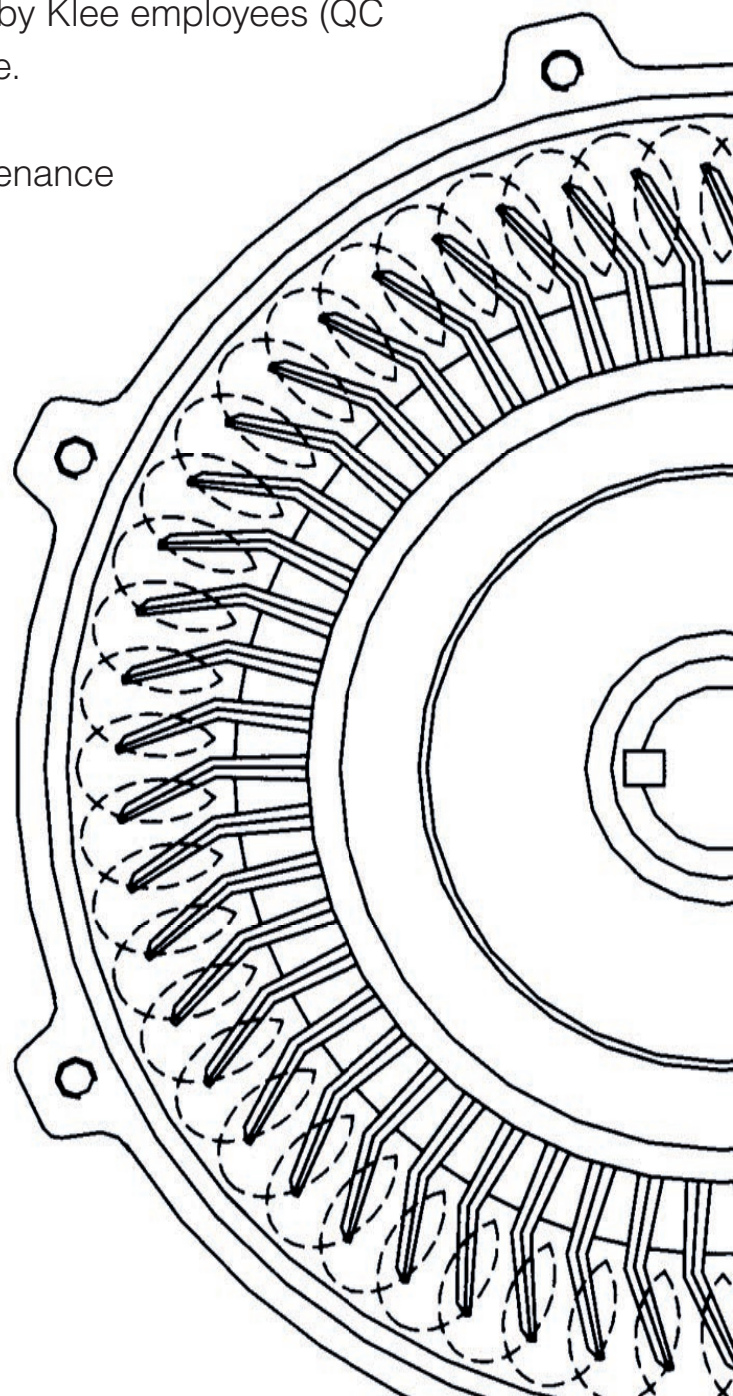
A reliable and durable solution

KLEEblower is our own range of side channel- and turbo blowers.

We have chosen the design and top quality components for manufacturing ourselves, so we can offer our customers the best possible solution.

Production is quality controlled and approved by Klee employees (QC engineers) before leaving the manufacturing site.

KLEEblowers are reliable, have very low maintenance and are durable.



Side channel blowers

Characteristics

Side channel blowers

The wide range of side channel blowers are available as single and double stage versions with max air flow up to 1344 m³/h and pressure up to 780 mbar. Our own strict quality control ensures a very high standard and quality.

Characteristics

- Wide voltage range
- 50/60 Hz motors
- Insulation class F or H (from 5.5 kW)
- High quality bearings with high temperature grease
- High quality wave washers
- High quality multilayer shaft seals
- Build-in bimetallic thermo switch from 5.5 kW
- For continuous drive
- Low noise and vibration level
- Almost maintenance free
- CE, UL and CSA approved
- All units are QC inspected by Klee
- Ceramic bearings as option
- Standard color: RAL 7003 grey

Principle of operation

Three-dimensional blower impeller rotation enables the air between the vanes to accelerate along the radius direction. The air is forced to return to the base of the impeller due to pressure difference throwing it outward and forward through a spiral path. This action is repeated and causes the air gain pressure until it reaches the outlet port of the housing. The air is ejected from the impeller and from the blower through the outlet.

Kleeblower L model

Klee has designed a special model of side channel blowers with lower bearing temperature that ensures longer lasting bearings. The L-model is available with output up to 3.4 kW and performance ranges up to 372 m³/h and max pressure up to 280 mbar.

L model features

- Lower bearing temperature
- Extended grease life in bearings
- Less maintenance
- Grease-free environment in the blower housing
- Excellent for vertical blower installation

Special design

The bearing in front is placed outside the housing between the motor and the blower unit with an extended aluminum bearing-hub. The fan of the motor cools down the extended hub that ensures an optimal cooling of the bearing.

Longer operation life

The external bearing design allows the bearings to operate in low temperature that causes fast heat dissipation and uniform loading capacity. The bearing grease is more durable causing longer maintenance intervals.

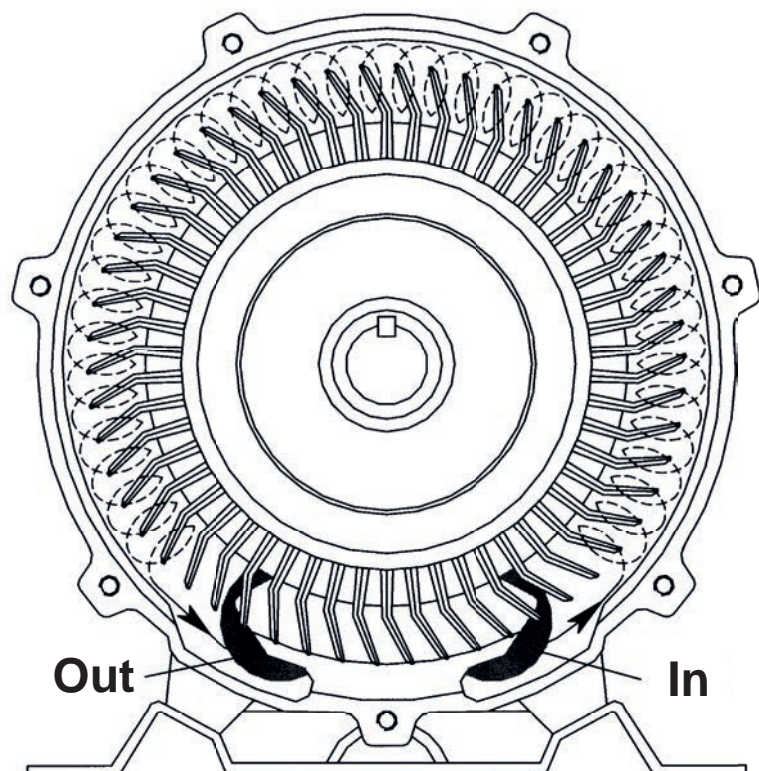


Illustration A. Example of the working principle of a side channel blower.





Applications

Vacuum, KLEEblower type KB

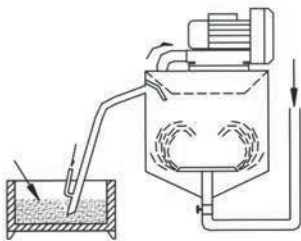
KLEEblower type KB provides up to 1344 m³/h and differential vacuum down to 650 mbar.

Please refer to page 54-55 for more information.

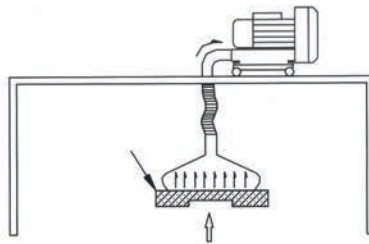
It is advised to secure the blower against overheating. Avoid exceeding the allowable vacuum limit.



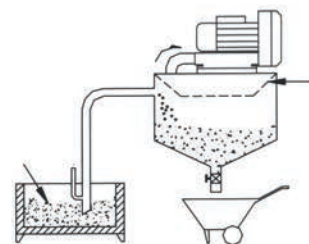
1. Food washing equipment



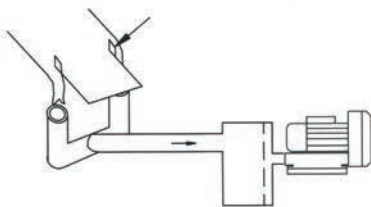
2. Exhaust gases



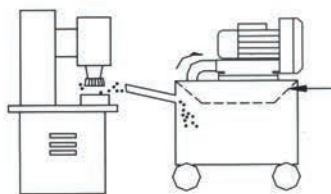
3. Power & granule conveyor



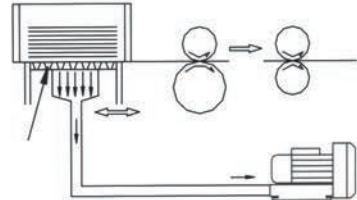
4. Paper cutting equipment



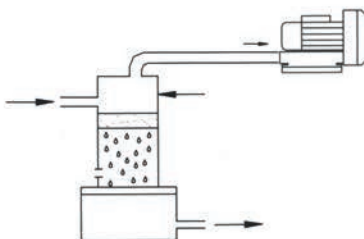
5. Industrial vacuuming



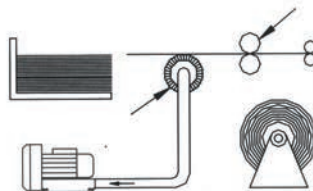
6. Paperboard conveyor



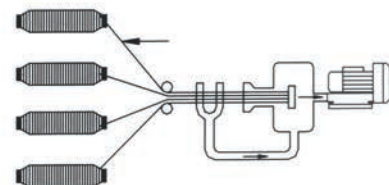
7. Degasification



8. Printing machine



9. Automatic weaving machine





Applications

Pressure, KLEEblower type KB

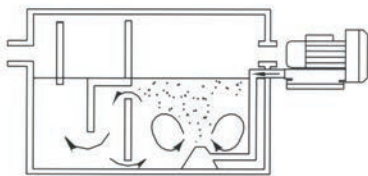
KLEEblower type KB provides up to 1344 m³/h and differential pressure up to 780 mbar.

Please refer to page 54-55 for more information.

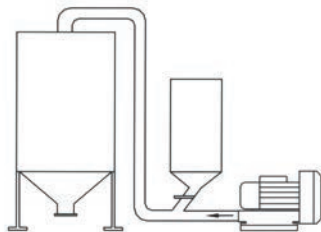
It is advised to secure the blower against overheating. Avoid exceeding the allowable pressure limit.



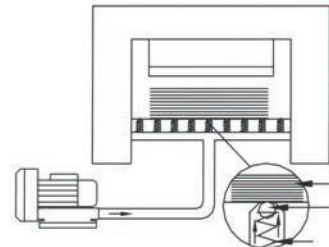
1. Sewage Treatment Plants



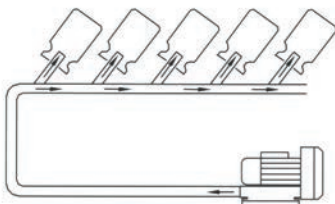
2. Powder & granule conveyor



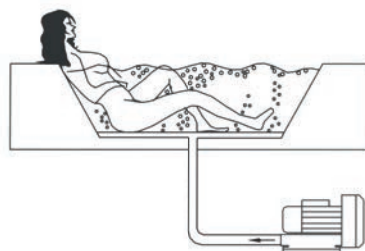
3. Air cushioned paper knife



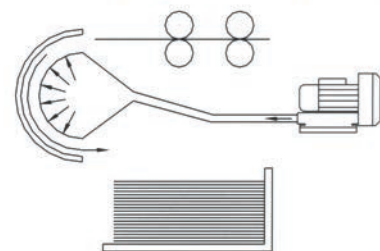
4. Air drying of containers



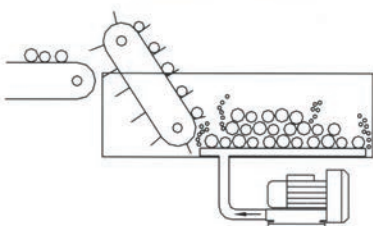
5. Jacuzzi



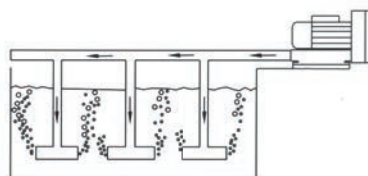
6. Air drying for offset printing



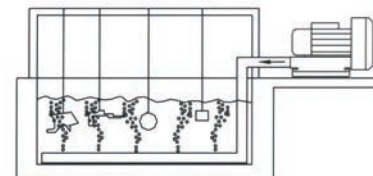
7. Vegetable washer



8. Oxygen supply for culture field



9. Electrolytic treatment



50 Hz

KB-series 50 Hz

Overview (single- og double-stage)

– Single-stage side channel blower with max. air flow of 1344 m³/h and max. air pressure of 450 mbar

– Double-stage side channel blower (high pressure) with max. air flow of 575 m³/h max. air pressure of 780 mbar.

– Double-stage side channel blower (large flow) with max. air flow of 990 m³/h and max. air pressure of 270 mbar.

Type	Curve no.	Output [kW]	Voltage star/delta [V]	Maximum airflow [m ³ /min]	Safety limit Vacuum / pressure [mbar]	Noise level [dB]	Vacuum / pressure valve PVC/ALU			
Single-stage										
KB-129 KB-129-1	22F 22F	0.2 0.2	3 x 230/400 (1 x 230) (different voltage on request)	0.8 0.8	70/70 70/70	53 53	RV-03 RV-03	RVA-03 RVA-03		
KB-229 KB-229-1 KB-229L KB-229L1	31F 31F 32F 32F	0.4 0.4 0.4 0.4		1.4 1.4 1.4 1.4	110/130 110/130 110/130 110/130	58 58 58 58	RV-03 RV-03 RV-03 RV-03	RVA-03 RVA-03 RVA-03 RVA-03		
KB-329 KB-329-1 KB-329L KB-329L-1 KB-329 KB-339	41F 41F 42F 42F 43F 44F	0.75 0.75 0.75 0.75 0.9 1.3		2.4 2.4 2.4 2.4 2.4 2.4	140/140 140/140 140/140 140/140 165/180 175/200	63 63 63 63 63 63	RV-03 RV-03 RV-03 RV-03 RV-03 RV-03	RVA-03 RVA-03 RVA-03 RVA-03 RVA-03 RVA-03		
KB-429 KB-429L KB-429-1 KB-429 KB-429L KB-429	52F 52F 53F 54F 54F 55F	1.3 1.3 1.5 1.75 1.75 2.2		3 x 230/400 (1 x 220/240) (different voltage on request)	3.6 3.6 3.6 3.6 3.6 3.6	180/180 180/180 210/220 210/220 210/220 220/270	70 70 70 70 70 70	RV-03 RV-03 RV-03 RV-03 RV-03 RV-03	RVA-03 RVA-03 RVA-03 RVA-03 RVA-03 RVA-03	
KB-429HF KB-429HF KB-429HF	56HF 57HF 58HF	1.3 1.75 2.2			4.50 4.50 4.50	180/180 210/220 220/270	70 70 70	RV-03 RV-03 RV-03	RVA-03 RVA-03 RVA-03	
KB-529 KB-529-1 KB-529L KB-629 KB-629-1 KB-629L KB-639	61F 61F 61F 62F 62F 62F 63F	2.2 2.2 2.2 3.4 3.4 3.4 4.0			5.2 5.2 5.2 5.2 5.2 5.2 5.2	230/230 230/230 230/230 260/280 260/280 260/280 270/330	72 72 72 72 72 72 72	ATV-20 ATV-20 ATV-20 RV-03 RV-03 RV-03 RV-03	ATV-20 ATV-20 ATV-20 RVA-03 RVA-03 RVA-03 RVA-03	
KB-529HF KB-629HF KB-639HF	61HF 62HF 63HF	2.2 3.4 4.0			6.8 6.8 6.8	230/230 260/300 270/330	72 72 72	RV-03 RV-03 RV-03	RVA-03 RVA-03 RVA-03	
KB-729 KB-829	81F 82F	5.5 7.5			3 x 230/400 or (3 x 400/690) (different voltage on request)	9.2 9.2	270/300 300/400	74 74	-- -- -- --	ATV-25 ATV-25
KB-919 KB-929 KB-939	91F 92F 93F	9 13 20				18.9 18.9 18.9	200/200 300/300 350/450	76 76 76	-- -- -- -- -- --	ATV-25 ATV-25 ATV-25

50 Hz



Type	Curve no.	Output [kW]	Voltage star/delta [V]	Maximum airflow [m ³ /min]	Safety limit Vacuum / pressure [mbar]	Noise level [dB]	Vacuum / pressure valve PVC/ALU	
Double-stage								
KB-2308	101F	0.75	3 x 230/400 or (3 x 400/690) (different voltage on request)	1.5	200/240	60	RV-03	RVA-03
KB-3315	110F	1.3		2.6	220/250	66	RV-03	RVA-03
KB-3319	111F	1.75		2.6	275/320	66	RV-03	RVA-03
KB-3326	112F	2.2		2.6	280/375	66	RV-36	RVA-36
KB-4337	121F	3.4	3 x 230/400 or (3 x 400/690) (different voltage on request)	3.7	345/410	74	RV-36	RVA-36
KB-4346	122F	4.0		3.7	355/495	74	RV-36	RVA-36
KB-6346	131F	4.0		5.2	360/380	75	2xRV-36	RVA-36
KB-6355	132F	5.5		5.2	410/515	75	2xRV-36	2xRVA-36
KB-6375	133F	7.5	3 x 230/400 or (3 x 400/690) (different voltage on request)	5.2	420/580	75	2xRV-36	2xRVA-36
KB-6455	142F	5.5		7.8	200/220	75	RV-36	RV-36
KB-6475	143F	7.5		7.8	240/270	75	RVA-36	RVA-36
KB-8310	151F	7.5		9.6	320/320	76	-- --	2xATV-25
KB-8315	152F	11	3 x 230/400 or (3 x 400/690) (different voltage on request)	9.6	430/600	76	-- --	2xATV-25
KB-8320	153F	16		9.6	450/700	76	-- --	-
KB-8415	162F	11		14.2	260/260	76	-- --	2xATV-25

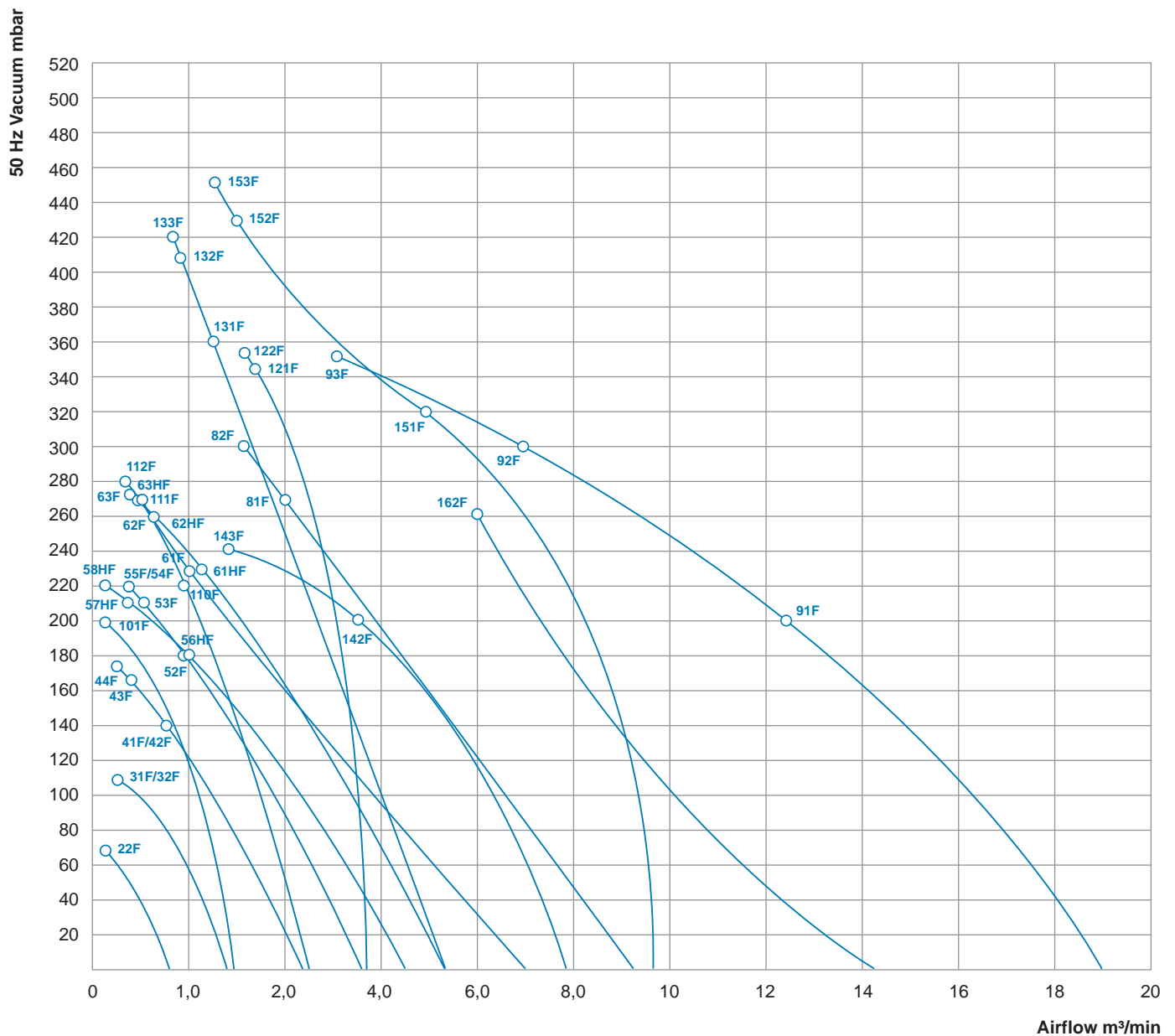
Colour code • dark grey: 3 phase / Colour code • orange: 1 phase

The technical data is based on 1 bar (abs) free atmosphere and 20 °C with inlet air density 1.2 kg/m³, incl. 10% variance. All rights reserved for technical specification changes without prior approval from any source outside Brd. Klee, when considered necessary based on our research and development.

It is recommended to use a pressure/vacuum safety valve to protect the fan from overheating and exceeding the permissible pressure/vacuum. Please see page 54-55 for further information. Bi-metal switch is standard on motors from 5.5 kW and all 1-phase models.

Vacuum diagram

KB-series 50 Hz

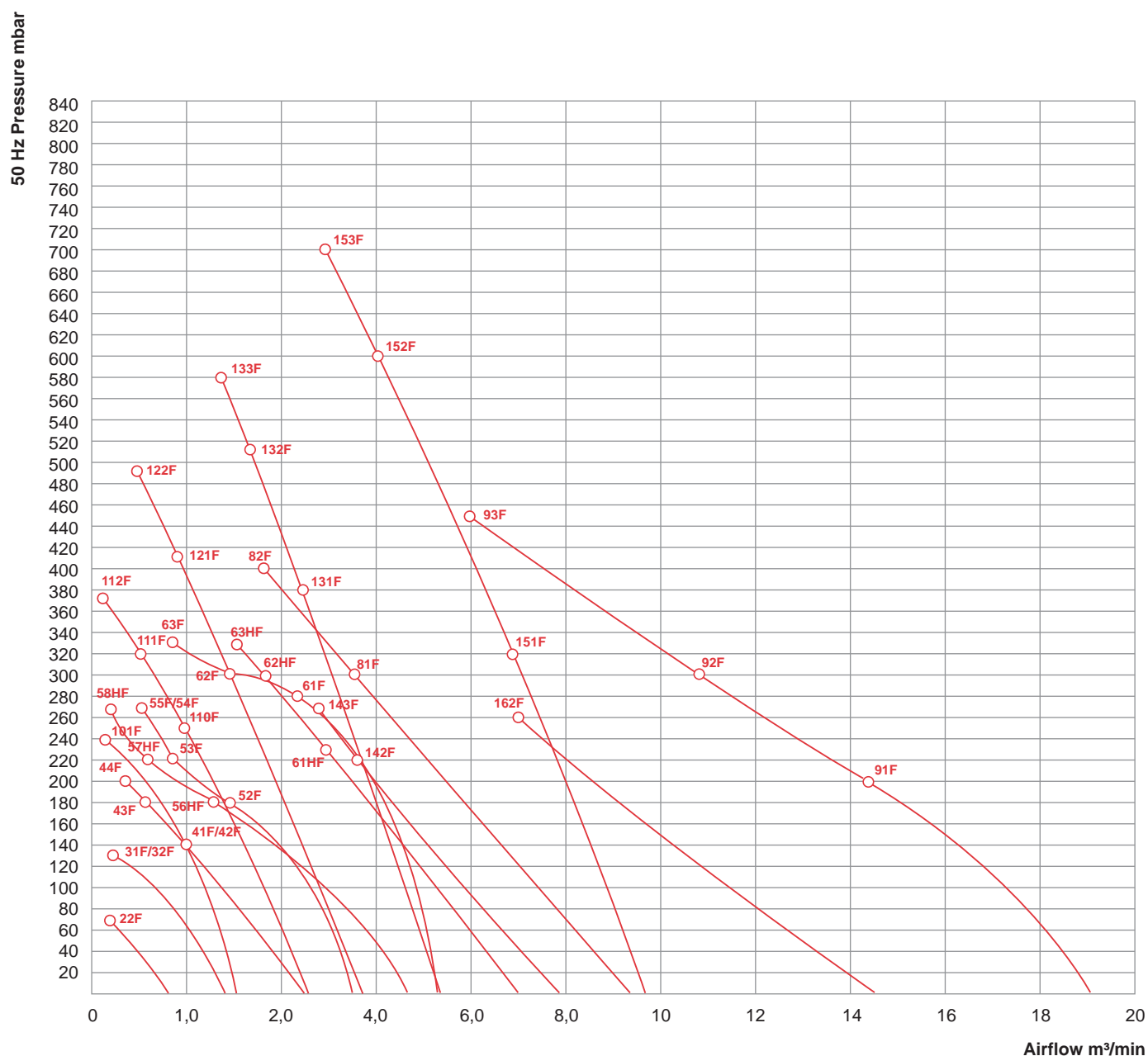


The technical data is based on 1 bar (abs) free atmosphere and 20 °C with inlet air density 1.2 kg/m³, incl. 10% variance. All rights reserved for technical specification changes without prior approval from any source outside Brd. Klee, when considered necessary based on our research and development.

It is recommended to use a pressure/vacuum safety valve to protect the fan from overheating and exceeding the permissible pressure/vacuum. Please see page 54-55 for further information. Bi-metal switch is standard on motors from 5.5 kW and all 1-phase models.

Pressure diagram

KB-series 50 Hz



The technical data is based on 1 bar (abs) free atmosphere and 20 °C with inlet air density 1.2 kg/m³, incl. 10% variance. All rights reserved for technical specification changes without prior approval from any source outside Brd. Klee, when considered necessary based on our research and development.

It is recommended to use a pressure/vacuum safety valve to protect the fan from overheating and exceeding the permissible pressure/vacuum. Please see page 54-55 for further information. Bi-metal switch is standard on motors from 5.5 kW and all 1-phase models.

Technical data “vacuum”

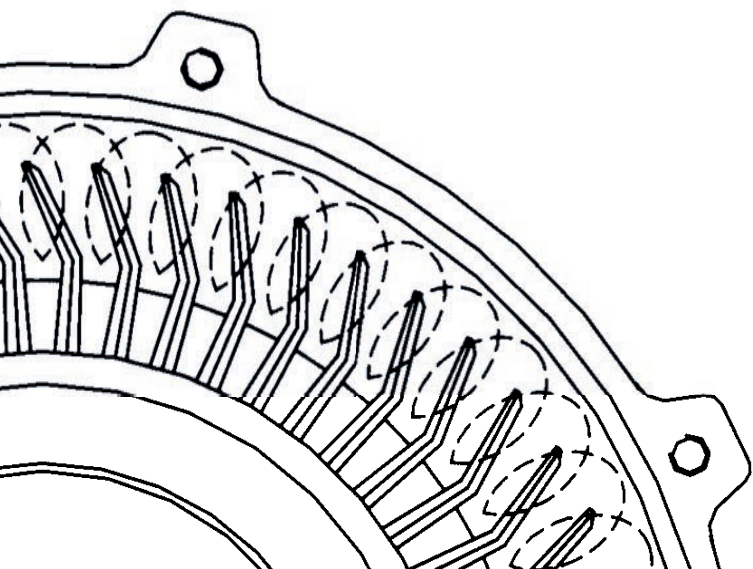
KB-series 50 Hz single-stage

Models		Single-stage vacuum										
Series 1	mbar	0	10	20	30	40	50	60	70	80	90	100
KB-129 0.2 kW	m ³ /min	0.8	0.72	0.66	0.56	0.48	0.38	0.25	0.12	-	-	-
KB-129-1 0.2 kW	m ³ /min	0.8	0.72	0.66	0.56	0.48	0.38	0.25	0.12	-	-	-
Series 2	mbar	0	20	40	60	80	100	110	120	130	140	150
KB-229 0.4 kW	m ³ /min	1.4	1.25	0.92	0.8	0.63	0.41	0.25	-	-	-	-
KB-229-1 0.4 kW		1.4	1.25	0.92	0.8	0.63	0.41	0.25	-	-	-	-
KB-229L 0.4 kW		1.4	1.25	0.92	0.8	0.63	0.41	0.25	-	-	-	-
KB-229L-1 0.4 kW		1.4	1.25	0.92	0.8	0.63	0.41	0.25	-	-	-	-
Series 3	mbar	0	20	40	60	80	100	120	140	165	175	185
KB-329 0.75 kW	m ³ /min	2.4	2.2	1.85	1.75	1.4	1.25	0.9	0.75	-	-	-
KB-329-1 0.75 kW		2.4	2.2	1.85	1.75	1.4	1.25	0.9	0.75	-	-	-
KB-329L 0.75 kW		2.4	2.2	1.85	1.75	1.4	1.25	0.9	0.75	-	-	-
KB-329L-1 0.75 kW		2.4	2.2	1.85	1.75	1.4	1.25	0.9	0.75	-	-	-
KB-329 0.9 kW		2.4	2.2	1.85	1.75	1.4	1.25	0.9	0.75	0.43	-	-
KB-339 1.3kW		2.4	2.2	1.85	1.75	1.4	1.25	0.9	0.75	0.43	0.35	-
Series 4	mbar	0	25	50	75	100	130	160	180	200	210	220
KB-429 1.3 kW	m ³ /min	3.6	3.3	3.0	2.7	2.2	1.77	1.15	0.91	-	-	-
KB-429L 1.3 kW		3.6	3.3	3.0	2.7	2.2	1.77	1.15	0.91	-	-	-
KB-429-1 1.5 kW		3.6	3.3	3.0	2.7	2.2	1.77	1.15	0.91	0.68	0.52	-
KB-429 1.75 kW		3.6	3.3	3.0	2.7	2.2	1.77	1.15	0.91	0.68	0.52	-
KB-429L 1.75kW		3.6	3.3	3.0	2.7	2.2	1.77	1.15	0.91	0.68	0.52	-
KB-429 2.2 kW		3.6	3.3	3.0	2.7	2.2	1.77	1.15	0.91	0.68	0.52	0.38
Series 4 HF	mbar	0	25	50	75	100	130	160	180	200	210	220
KB-429 1.3 kW HF	m ³ /min	4.50	3.83	3.17	2.67	2.17	1.67	1.33	1.00	-	-	-
KB-429 1.75 kW HF		4.50	3.83	3.17	2.67	2.17	1.67	1.33	1.00	0.67	0.33	-
KB-429 2.2 kW HF		4.50	3.83	3.17	2.67	2.17	1.67	1.33	1.00	0.67	0.33	0.17

Technical data “vacuum”

KB-series 50 Hz single-stage

Models		Single-stage vacuum (continued)										
Series 5 & 6	mbar	0	50	100	120	140	160	180	200	230	260	270
KB-529 2.2 kW	m ³ /min	5.2	4.5	3.6	3.2	2.8	2.3	1.9	1.65	1.18	-	-
KB-529-1 2.2 kW		5.2	4.5	3.6	3.2	2.8	2.3	1.9	1.65	1.18	-	-
KB-529L 2.2 kW		5.2	4.5	3.6	3.2	2.8	2.3	1.9	1.65	1.18	-	-
KB-629 3.4 kW		5.2	4.5	3.6	3.2	2.8	2.3	1.9	1.65	1.18	0.75	-
KB-629-1 3.4 kW		5.2	4.5	3.6	3.2	2.8	2.3	1.9	1.65	1.18	0.75	-
KB-629L 3.4 kW		5.2	4.5	3.6	3.2	2.8	2.3	1.9	1.65	1.18	0.75	-
KB-639 4.0 kW		5.2	4.5	3.6	3.2	2.8	2.3	1.9	1.65	1.18	0.75	0.55
Series 5 & 6 HF	mbar	0	50	100	120	140	160	180	200	230	260	270
KB-529 2.2 kW HF	m ³ /min	6.8	5.8	4.0	3.5	3.0	2.6	1.7	1.33	1.00	-	-
KB-629 3.4 kW HF		6.8	5.8	4.0	3.5	3.0	2.6	1.7	1.33	1.00	0.67	-
KB-639 4.0 kW HF		6.8	5.8	4.0	3.5	3.0	2.6	1.7	1.33	1.00	0.67	0.50
Series 7 & 8	mbar	0	50	100	130	160	180	200	230	250	270	300
KB-729 5.5 kW	m ³ /min	9.2	8.3	7.2	6.3	5.6	4.9	4.4	3.3	2.7	2.0	-
KB-829 7.5 kW		9.2	8.3	7.2	6.3	5.6	4.9	4.4	3.3	2.7	2.0	1.5
Series 9	mbar	0	50	100	120	160	200	240	270	300	325	350
KB-919 9.0 kW	m ³ /min	18.9	18	17.8	16.7	15	12.5	-	-	-	-	-
KB-929 13.0 kW		18.9	18	17.8	16.7	15	12.5	9.5	8.4	6.8	-	-
KB-939 20.0 kW		18.9	18	17.8	16.7	15	12.5	9.5	8.4	6.8	5.2	3.2



Technical data “vacuum”

KB-series 50 Hz double-stage

Models		Double-stage vacuum										
Series 23	mbar	0	25	50	75	100	125	150	175	200	210	220
KB-2308 0.75 kW	m ³ /min	1.5	1.4	1.25	1.1	0.9	0.8	0.7	0.45	0.25	-	-
Series 33	mbar	0	50	100	130	160	180	200	220	250	275	280
KB-3319 1.75 kW	m ³ /min	2.6	2.2	1.8	1.65	1.35	1.22	0.95	0.88	0.68	0.45	-
KB-3326 2.2 kW		2.6	2.2	1.8	1.65	1.35	1.22	0.95	0.88	0.68	0.45	0.4
Series 43	mbar	0	50	100	150	200	250	275	300	325	345	355
KB-4337 3.4 kW	m ³ /min	3.7	3.6	3.15	2.5	1.85	1.4	1.1	0.9	0.7	0.55	-
KB-4346 4.0 kW		3.7	3.6	3.15	2.5	1.85	1.4	1.1	0.9	0.7	0.55	0.45
Series 63	mbar	0	50	100	150	200	250	300	330	360	410	420
KB-6346 4.0 kW	m ³ /min	5.2	5.05	4.8	4.2	3.8	2.9	2.0	1.7	1.3	-	-
KB-6355 5.5 kW		5.2	5.05	4.8	4.2	3.8	2.9	2.0	1.7	1.3	0.85	-
KB-6375 7.5 kW		5.2	5.05	4.8	4.2	3.8	2.9	2.0	1.7	1.3	0.85	0.8
Series 64	mbar	0	50	100	120	140	160	180	200	220	240	250
KB-6455 5.5 kW	m ³ /min	7.8	7.25	6.55	6.2	5.7	5.2	4.4	3.8	-	-	-
KB-6475 7.5 kW		7.8	7.25	6.55	6.2	5.7	5.2	4.4	3.8	3.2	1.35	-
Series 83	mbar	0	75	150	200	250	300	320	350	400	430	450
KB-8310 7.5 kW	m ³ /min	9.6	9.2	8.4	7.6	6.7	5.5	5.0	-	-	-	-
KB-8315 11.0 kW		9.6	9.2	8.4	7.6	6.7	5.5	5.0	4.15	2.3	1.4	-
KB-8320 19.0 kW		9.6	9.2	8.4	7.6	6.7	5.5	5.0	4.15	2.3	1.4	1.2
Series 84	mbar	0	25	50	75	100	125	150	175	200	230	260
KB-8415 11.0 kW	m ³ /min	14.2	13.5	12.1	11.2	9.95	9.4	8.85	8.2	7.6	6.6	6.0

Pressure **50 Hz**

Technical data “pressure”

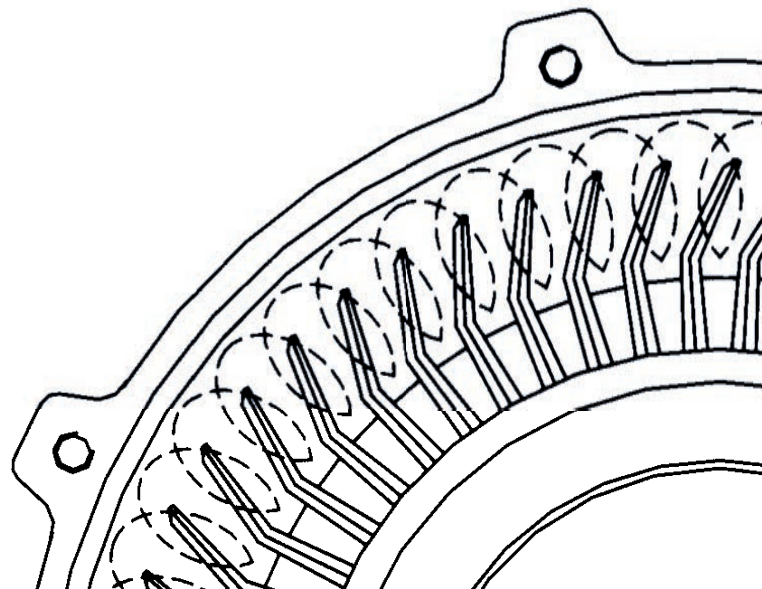
KB-series 50 Hz single-stage

Models		Single-stage pressure										
Series 1	mbar	0	10	20	30	40	50	60	70	80	90	100
KB-129 0.2 kW	m ³ /min	0.8	0.72	0.66	0.56	0.48	0.38	0.25	0.12	-	-	-
KB-129-1 0.2 kW	m ³ /min	0.8	0.72	0.66	0.56	0.48	0.38	0.25	0.12	-	-	-
Series 2	mbar	0	20	40	60	80	100	110	120	130	140	150
KB-229 0.4 kW	m ³ /min	1.4	1.2	1.0	0.88	0.8	0.5	0.35	0.25	0.15	-	-
KB-229-1 0.4 kW		1.4	1.2	1.0	0.88	0.8	0.5	0.35	0.25	0.15	-	-
KB-229L 0.4 kW		1.4	1.2	1.0	0.88	0.8	0.5	0.35	0.25	0.15	-	-
KB-229L-1 0.4 kW		1.4	1.2	1.0	0.88	0.8	0.5	0.35	0.25	0.15	-	-
Series 3	mbar	0	20	40	60	80	100	120	140	160	180	200
KB-329 0.75 kW	m ³ /min	2.4	2.2	2.0	1.82	1.75	1.4	1.2	0.9	-	-	-
KB-329-1 0.75 kW		2.4	2.2	2.0	1.82	1.75	1.4	1.2	0.9	-	-	-
KB-329L 0.75 kW		2.4	2.2	2.0	1.82	1.75	1.4	1.2	0.9	-	-	-
KB-329L-1 0.75 kW		2.4	2.2	2.0	1.82	1.75	1.4	1.2	0.9	-	-	-
KB-329 0.9 kW		2.4	2.2	2.0	1.82	1.75	1.4	1.2	0.9	0.75	0.52	-
KB-339 1.3kW		2.4	2.2	2.0	1.82	1.75	1.4	1.2	0.9	0.75	0.52	0.4
Series 4	mbar	0	40	80	100	130	150	180	200	220	250	270
KB-429 1.3 kW	m ³ /min	3.6	3.15	3.0	2.7	2.2	1.8	1.45	-	-	-	-
KB-429L 1.3 kW		3.6	3.15	3.0	2.7	2.2	1.8	1.45	-	-	-	-
KB-429-1 1.5 kW		3.6	3.15	3.0	2.7	2.2	1.8	1.45	1.2	0.87	-	-
KB-429 1.75 kW		3.6	3.15	3.0	2.7	2.2	1.8	1.45	1.2	0.87	-	-
KB-429L 1.75kW		3.6	3.15	3.0	2.7	2.2	1.8	1.45	1.2	0.87	-	-
KB-429 2.2 kW		3.6	3.15	3.0	2.7	2.2	1.8	1.45	1.2	0.87	0.73	0.45
Series 4 HF	mbar	0	40	80	100	130	150	180	200	220	250	270
KB-429 1.3 kW HF	m ³ /min	4.33	3.50	2.83	2.00	2.00	1.67	1.33	-	-	-	-
KB-429 1.75 kW HF		4.33	3.50	2.83	2.00	2.00	1.67	1.33	1.00	0.67	-	-
KB-429 2.2 kW HF		4.33	3.50	2.83	2.00	2.00	1.67	1.33	1.00	0.67	0.33	0.17

Technical data “pressure”

KB-series 50 Hz single-stage

Models		Single-stage pressure										
Series 5 & 6	mbar	0	50	100	150	175	200	230	250	280	300	330
KB-529 2.2 kW	m ³ /min	5.2	4.95	4.4	3.75	3.2	2.95	2.2	-	-	-	-
KB-529-1 2.2 kW		5.2	4.95	4.4	3.75	3.2	2.95	2.2	-	-	-	-
KB-529L 2.2 kW		5.2	4.95	4.4	3.75	3.2	2.95	2.2	-	-	-	-
KB-629 3.4 kW		5.2	4.95	4.4	3.75	3.2	2.95	2.2	1.85	1.5	-	-
KB-629-1 3.4 kW		5.2	4.95	4.4	3.75	3.2	2.95	2.2	1.85	1.5	-	-
KB-629L 3.4 kW		5.2	4.95	4.4	3.75	3.2	2.95	2.2	1.85	1.5	-	-
KB-639 4.0 kW		5.2	4.95	4.4	3.75	3.2	2.95	2.2	1.85	1.5	1.2	0.85
Series 5 & 6 HF	mbar	0	50	100	150	175	200	230	250	280	300	330
KB-529 2.2 kW HF	m ³ /min	7.0	6.0	5.0	4.0	3.7	3.2	2.9	-	-	-	-
KB-629 3.4 kW HF		7.0	6.0	5.0	4.0	3.7	3.2	2.9	2.5	2.2	1.8	-
KB-639 4.0 kW HF		7.0	6.0	5.0	4.0	3.7	3.2	2.9	2.5	2.2	1.8	1.5
Series 7 & 8	mbar	0	50	100	150	200	250	300	325	350	375	400
KB-729 5.5 kW	m ³ /min	9.2	8.4	7.75	6.9	5.92	4.95	3.85	-	-	-	-
KB-829 7.5 kW		9.2	8.4	7.75	6.9	5.92	4.95	3.85	3.25	2.6	2.1	1.85
Series 9	mbar	0	50	100	150	200	250	300	325	350	400	450
KB-919 9.0 kW	m ³ /min	18.9	18.5	17.8	16.0	14.5	-	-	-	-	-	-
KB-929 13.0 kW		18.9	18.5	17.8	16.0	14.5	13.0	10.8	-	-	-	-
KB-939 20.0 kW		18.9	18.5	17.8	16.0	14.5	13.0	10.8	9.5	8.95	7.6	6.0



Pressure **50 Hz**

Technical data “pressure”

KB-series 50 Hz double-stage

Models		Double-stage pressure										
Series 23	mbar	0	25	50	75	100	125	150	175	200	220	240
KB-2308 0.75 kW	m ³ /min	1.5	1.35	1.18	1.0	0.9	0.75	0.65	0.53	0.4	0.25	0.13
Series 33	mbar	0	50	100	150	200	250	275	300	320	350	375
KB-3319 1.75 kW	m ³ /min	2.6	2.2	1.18	1.0	0.9	0.75	0.65	0.53	0.4	-	-
KB-3326 2.2 kW		2.6	2.2	1.18	1.0	0.9	0.75	0.65	0.53	0.4	0.25	0.13
Series 43	mbar	0	50	100	150	200	250	300	350	410	450	495
KB-4337 3.4 kW	m ³ /min	3.7	3.65	3.5	3.15	2.9	2.3	1.8	1.45	0.85	-	-
KB-4346 4.0 kW		3.7	3.65	3.5	3.15	2.9	2.3	1.8	1.45	0.85	0.73	0.5
Series 63	mbar	0	100	200	250	300	380	400	450	515	550	580
KB-6346 4.0 kW	m ³ /min	5.2	4.9	4.3	3.95	3.5	2.65	-	-	-	-	-
KB-6355 5.5 kW		5.2	4.9	4.3	3.95	3.5	2.65	2.52	2.0	1.65	-	-
KB-6375 7.5 kW		5.2	4.9	4.3	3.95	3.5	2.65	2.52	2.0	1.65	1.53	1.35
Series 64	mbar	0	50	100	120	140	160	180	200	220	250	270
KB-6455 5.5 kW	m ³ /min	7.8	7.25	6.48	6.2	5.7	5.3	4.8	4.3	3.7	-	-
KB-6475 7.5 kW		7.8	7.25	6.48	6.2	5.7	5.3	4.8	4.3	3.7	2.8	2.3
Series 83	mbar	0	75	150	250	320	400	500	550	600	650	700
KB-8310 7.5 kW	m ³ /min	9.6	9.3	8.8	7.9	7.2	-	-	-	-	-	-
KB-8315 11.0 kW		9.6	9.3	8.8	7.9	7.2	6.2	4.7	4.3	4.0	-	-
KB-8320 19.0 kW		9.6	9.3	8.8	7.9	7.2	6.2	4.7	4.3	4.0	3.5	2.8
Series 84	mbar	0	25	50	75	100	125	150	175	200	230	260
KB-8415 11.0 kW	m ³ /min	14.2	13.4	12.9	12.5	12.1	11.0	9.9	9.2	8.8	7.8	7.0

60 Hz

KB-series 60 Hz

Overview (single- og double-stage)

– Single-stage side channel blower with max. air flow of 1344 m³/h and max. air pressure of 430 mbar.

– Double-stage side channel blower (high pressure) with max. air flow of 654 m³/h max. air pressure of 780 mbar.

– Double-stage side channel blower (large flow) with max. air flow of 990 m³/h and max. air pressure of 270 mbar.

Type	Curve no.	Output [kW]	Voltage star/delta [V]	Maximum airflow [m ³ /min]	Safety limit Vacuum / pressure [mbar]	Noise level [dB]	Vacuum / pressure valve PVC/ALU	
Single-stage								
KB-129 KB-129-1	22S 22F	0.25 0.25	3x 276/480 (1 x 276) (different voltage on request)	1.0 1.0	75/80 75/80	55 55	RV-03 RV-03	RVA-03 RVA-03
KB-229 KB-229-1 KB-229L KB-229L-1	31S 31S 32S 32S	0.5 0.5 0.5 0.5		1.7 1.7 1.7 1.7	140/170 140/170 140/170 140/170	61 61 61 61	RV-03 RV-03 RV-03 RV-03	RVA-03 RVA-03 RVA-03 RVA-03
KB-329 KB-319-1 KB-329L KB-329L-1 KB-329 KB-339	41S 41S 42S 42S 43S 44S	0.85 0.85 0.85 1.1 1.5		2.9 2.9 2.9 2.9 2.9	140/140 140/140 140/140 180/180 205/230	64 64 64 64 64	RV-03 RV-03 RV-03 RV-03 RV-03	RVA-03 RVA-03 RVA-03 RVA-03 RVA-03
KB-429 KB-429L KB-429-1 KB-429 KB-429L KB-429	52S 52S 53S 54S 54S 55S	1.5 1.5 1.75 1.9 1.9 2.6		4.2 4.2 4.2 4.2 4.2	180/180 180/180 210/220 210/220 220/270	73 73 73 73 73	RV-03 RV-03 RV-03 RV-03 RV-03	RVA-03 RVA-03 RVA-03 RVA-03 RVA-03
KB-429HF KB-429HF KB-429HF	56HF 57HF 58HF	1.5 1.9 2.6		5.25 5.25 5.25	180/180 230/220 255/300	73 73 73	RV-03 RV-03 RV-03	RVA-03 RVA-03 RVA-03
KB-529 KB-529-1 KB-529L KB-629 KB-629-1 KB-629L KB-639	61S 61S 61S 62S 62S 62S 63S	2.6 2.6 2.6 3.7 3.7 3.7 4.6		6.2 6.2 6.2 6.2 6.2 6.2	220/220 220/220 220/220 280/280 280/280 280/280 315/320	77 77 77 77 77 77	ATV-20 ATV-20 ATV-20 RV-03 RV-03 RV-03 RV-03	ATV-20 ATV-20 ATV-20 RVA-03 RVA-03 RVA-03 RVA-03
KB-529HF KB-629HF KB-639HF	61HF 62HF 63HF	2.6 3.7 4.6		8.3 8.3 8.3	220/250 280/280 315/320	77 77 77	RV-03 RV-03 RV-03	RVA-03 RVA-03 RVA-03
KB-729 KB-829	81S 82S	6.3 8.6		10.9 10.9	290/290 350/400	79 79	-- -- -- --	ATV-25 ATV-25
KB-919 KB-929 KB-939	91S 92S 93S	11 15 22		22.4 22.4 22.4	190/190 290/290 370/430	81 81 81	-- -- -- -- -- --	ATV-25 ATV-25 ATV-25

60 Hz



Type	Curve no.	Output [kW]	Voltage star/delta [V]	Maximum airflow [m³/min]	Safety limit Vacuum / pressure [mbar]	Noise level [dB]	Vacuum / pressure valve PVC/ALU	
Double-stage								
KB-2308	101S	0.85	3 x 276/480 or (3 x 480/-) (different voltage on request)	1.8	245/245	66	RV-03	RVA-03
KB-3319	110S	1.5		3.0	235/250	69	RV-03	RVA-03
KB-3319	111S	1.9		3.0	300/300	69	RV-03	RVA-03
KB-3326	112S	2.6		3.0	350/435	69	RV-36	RVA-36
KB-4337	121S	3.7		4.5	405/415	77	RV-36	RVA-36
KB-4346	122S	4.6	4.5	410/500	77	RV-36	RVA-36	
KB-6346	131S	4.6	3 x 276/480 or (3 x 480/-) (different voltage on request)	6.2	380/380	79	2xRV-36	RVA-36
KB-6355	132S	6.3		6.2	425/530	79	2xRV-36	2xRVA-36
KB-6375	133S	8.6		6.2	450/675	79	2xRV-36	2xRVA-36*
KB-6455	142S	6.3		9.2	200/220	79	RV-36	RV-36
KB-6475	143S	8.6		9.2	260/270	79	RVA-36	RVA-36
KB-8310	151S	8.6	3 x 276/480 or (3 x 480/-) (different voltage on request)	10.9	320/320	81	-- --	2xATV-25
KB-8315	152S	13		10.9	455/600	81	-- --	2xATV-25
KB-8320	153S	19		10.9	650/780	81	-- --	-
KB-8415	162S	13		16.5	260/260	81	-- --	2xATV-25

Colour code • dark grey: 3 phase / Colour code • orange: 1 phase

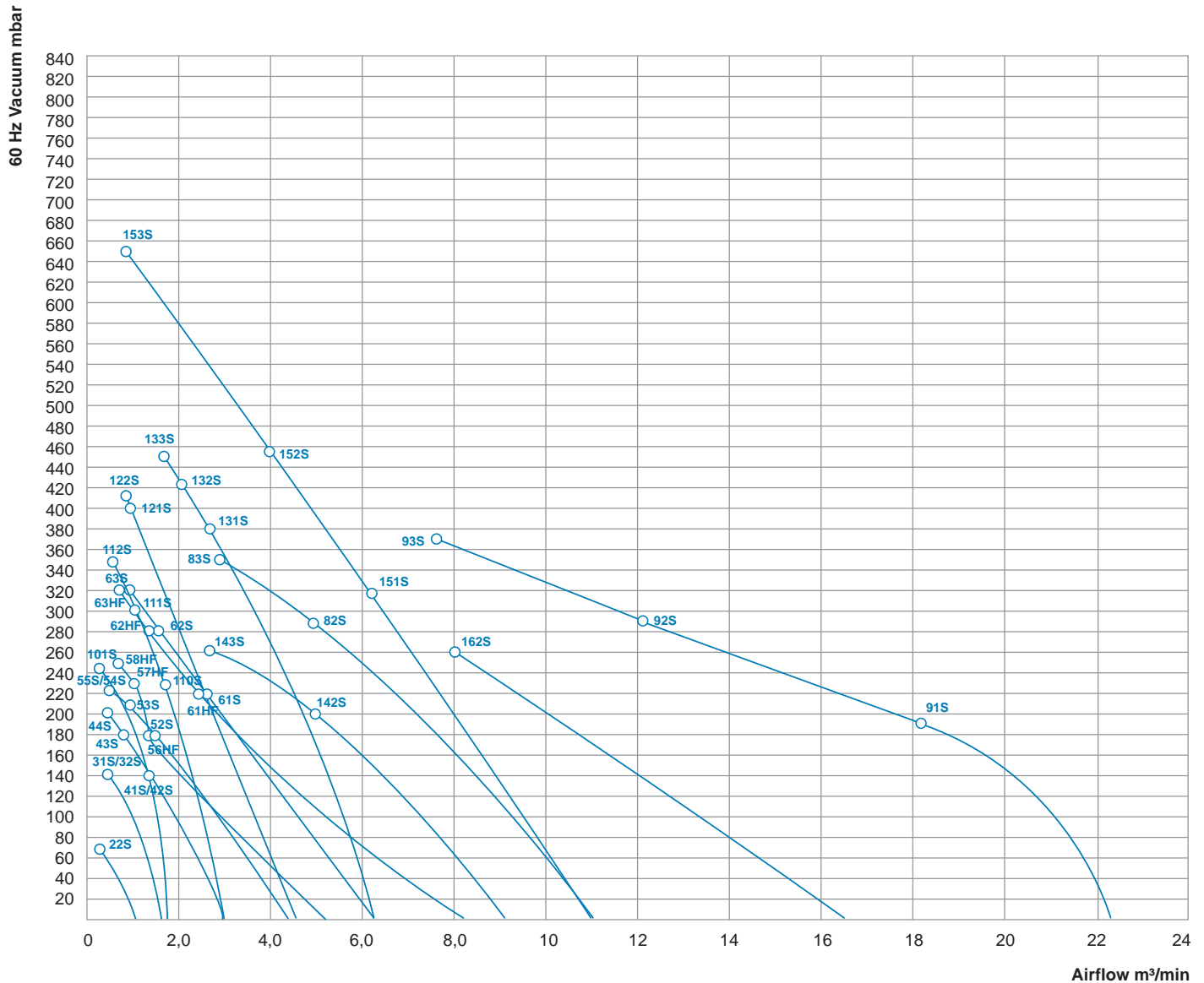
The technical data is based on 1 bar (abs) free atmosphere and 20 °C with inlet air density 1.2 kg/m³, incl. 10% variance. All rights reserved for technical specification changes without prior approval from any source outside Brd. Klee, when considered necessary based on our research and development.

It is recommended to use a pressure/vacuum safety valve to protect the fan from overheating and exceeding the permissible pressure/vacuum. Please see page 54-55 for further information. Bi-metal switch is standard on motors from 5.5 kW and all 1-phase models.

* Cannot be used at "Pressure" max. setting is 600 mbar.

Vacuum diagram

KB-series 60 Hz

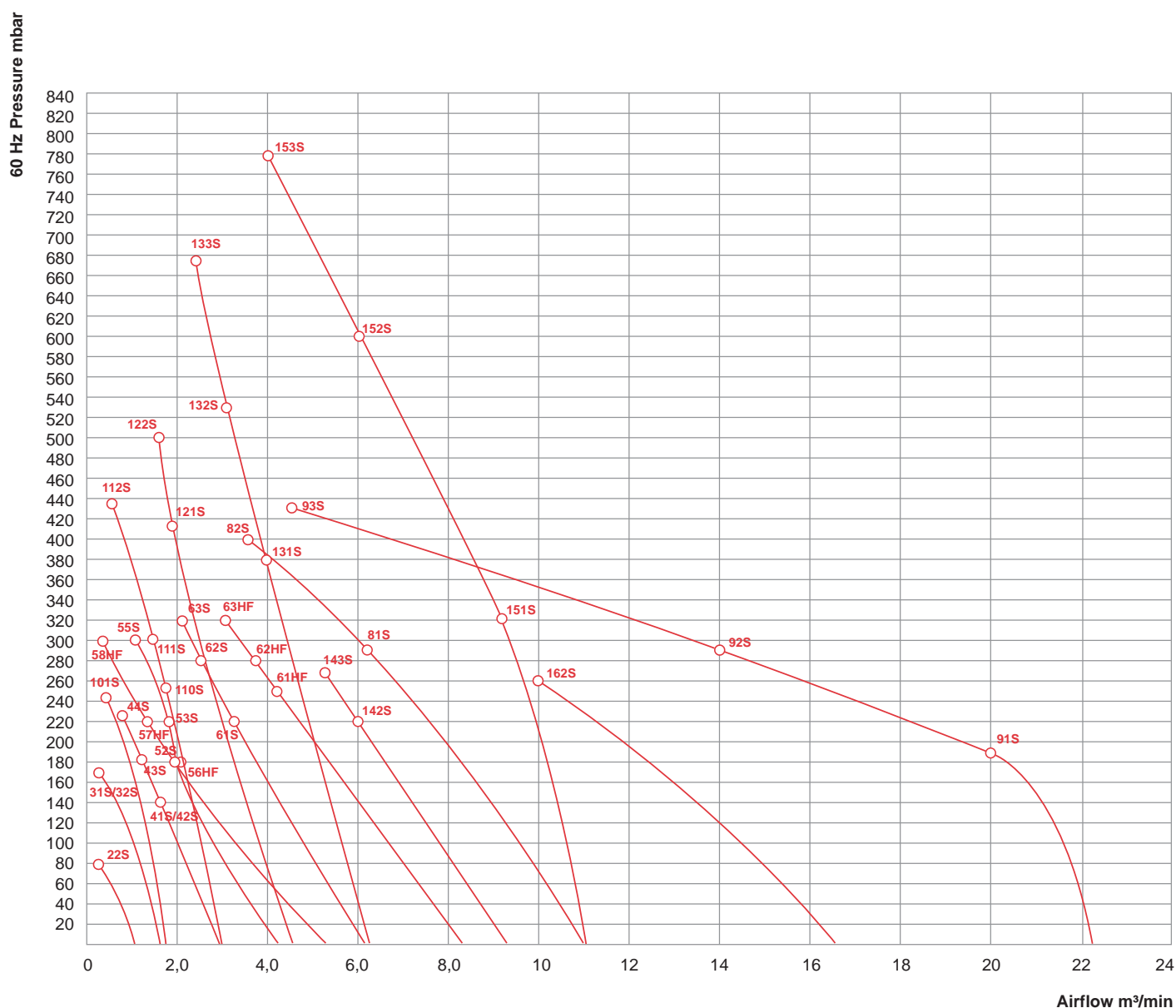


The technical data is based on 1 bar (abs) free atmosphere and 20 °C with inlet air density 1.2 kg/m³, incl. 10% variance. All rights reserved for technical specification changes without prior approval from any source outside Brd. Klee, when considered necessary based on our research and development.

It is recommended to use a pressure/vacuum safety valve to protect the fan from overheating and exceeding the permissible pressure/vacuum. Please see page 54-55 for further information. Bi-metal switch is standard on motors from 5.5 kW and all 1-phase models.

Pressure diagram

KB-series 60 Hz



The technical data is based on 1 bar (abs) free atmosphere and 20 °C with inlet air density 1.2 kg/m³, incl. 10% variance. All rights reserved for technical specification changes without prior approval from any source outside Brd. Klee, when considered necessary based on our research and development.

It is recommended to use a pressure/vacuum safety valve to protect the fan from overheating and exceeding the permissible pressure/vacuum. Please see page 54-55 for further information. Bi-metal switch is standard on motors from 5.5 kW and all 1-phase models.

Technical data “vacuum”

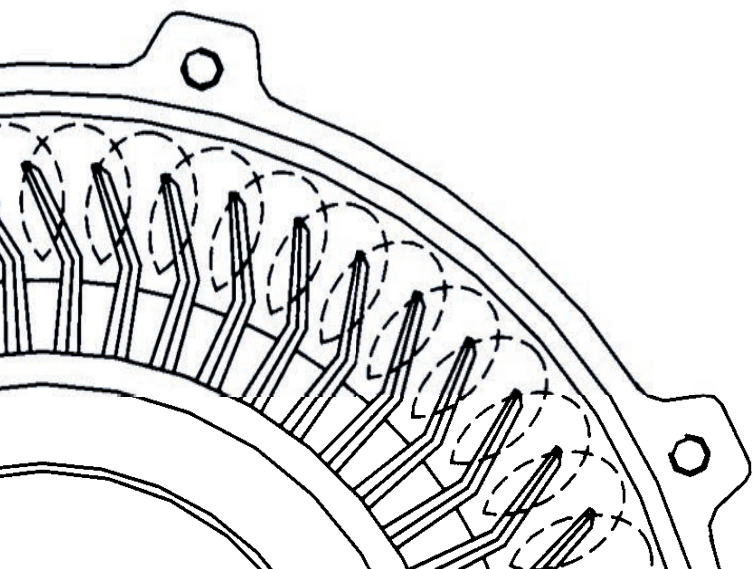
KB-series 60 Hz single-stage

Models		Single-stage vacuum										
Series 1	mbar	0	10	20	30	40	50	60	70	75	80	90
KB-129 0.25 kW	m ³ /min	1.0	0.92	0.85	0.8	0.7	0.62	0.47	0.28	0.15	-	-
KB-129-1 0.25 kW	m ³ /min	1.0	0.92	0.85	0.8	0.7	0.62	0.47	0.28	0.15	-	-
Series 2	mbar	0	20	40	60	80	100	110	120	130	140	150
KB-229 0.5 kW	m ³ /min	1.7	1.5	1.25	1.07	0.85	0.7	0.57	0.5	0.32	0.25	-
KB-229-1 0.5 kW		1.7	1.5	1.25	1.07	0.85	0.7	0.57	0.5	0.32	0.25	-
KB-229L 0.5 kW		1.7	1.5	1.25	1.07	0.85	0.7	0.57	0.5	0.32	0.25	-
KB-229L-1 0.5 kW		1.7	1.5	1.25	1.07	0.85	0.7	0.57	0.5	0.32	0.25	-
Series 3	mbar	0	20	40	60	80	100	120	140	160	180	205
KB-329 0.85 kW	m ³ /min	2.9	2.7	2.5	2.2	2.0	1.8	1.65	1.4	-	-	-
KB-329-1 0.85 kW		2.9	2.7	2.5	2.2	2.0	1.8	1.65	1.4	-	-	-
KB-329L 0.85 kW		2.9	2.7	2.5	2.2	2.0	1.8	1.65	1.4	-	-	-
KB-329L-1 0.85 kW		2.9	2.7	2.5	2.2	2.0	1.8	1.65	1.4	-	-	-
KB-329 1.1 kW		2.9	2.7	2.5	2.2	2.0	1.8	1.65	1.4	1.2	0.85	-
KB-339 1.5 kW		2.9	2.7	2.5	2.2	2.0	1.8	1.65	1.4	1.2	0.85	0.55
Series 4	mbar	0	25	50	75	100	140	180	210	230	255	280
KB-429 1.5 kW	m ³ /min	4.2	3.85	3.7	3.3	3.0	2.2	1.65	-	-	-	-
KB-429L 1.5 kW		4.2	3.85	3.7	3.3	3.0	2.2	1.65	-	-	-	-
KB-429-1 1.75 kW		4.2	3.85	3.7	3.3	3.0	2.2	1.65	1.25	-	-	-
KB-429 1.9 kW		4.2	3.85	3.7	3.3	3.0	2.2	1.65	1.25	-	-	-
KB-429L 1.9 kW		4.2	3.85	3.7	3.3	3.0	2.2	1.65	1.25	-	-	-
KB-429 2.6 kW		4.2	3.85	3.7	3.3	3.0	2.2	1.65	1.2t	0.83	0.57	-
Series 4 HF	mbar	0	25	50	75	100	140	180	210	230	255	280
KB-429 1.5 kW HF	m ³ /min	5.25	5.00	4.58	3.92	3.50	2.33	1.67	-	-	-	-
KB-429 1.75 kW HF		5.25	5.00	4.58	3.92	3.50	2.33	1.67	1.33	1.00	-	-
KB-429 2.6 kW HF		5.25	5.00	4.58	3.92	3.50	2.33	1.67	1.33	1.00	0.67	-

Technical data “vacuum”

KB-series 60 Hz single-stage

Models		Single-stage vacuum (continued)										
Series 5 & 6	mbar	0	50	100	130	160	180	200	220	250	280	315
KB-529 2.6 kW	m ³ /min	6.2	5.8	5.4	4.9	4.4	4.0	3.5	2.9	-	-	-
KB-529-1 2.6 kW		6.2	5.8	5.4	4.9	4.4	4.0	3.5	2.9	-	-	-
KB-529L 2.6 kW		6.2	5.8	5.4	4.9	4.4	4.0	3.5	2.9	-	-	-
KB-629 3.7 kW		6.2	5.8	5.4	4.9	4.4	4.0	3.5	2.9	2.0	1.55	-
KB-629-1 3.7 kW		6.2	5.8	5.4	4.9	4.4	4.0	3.5	2.9	2.0	1.55	-
KB-629L 3.7 kW		6.2	5.8	5.4	4.9	4.4	4.0	3.5	2.9	2.0	1.55	-
KB-639 4.6 kW		6.2	5.8	5.4	4.9	4.4	4.0	3.5	2.9	2.0	1.55	0.95
Series 5 & 6 HF	mbar	0	50	100	130	160	180	200	220	250	280	315
KB-529 2.6 kW HF	m ³ /min	8.3	7.2	6.3	5.0	4.5	3.7	3.0	2.50	-	-	-
KB-629 3.7 kW HF		8.3	7.2	6.3	5.0	4.5	3.7	3.0	2.50	1.83	1.33	-
KB-639 4.6 kW HF		8.3	7.2	6.3	5.0	4.5	3.7	3.0	2.50	1.83	1.33	0.83
Series 7 & 8	mbar	0	50	100	130	160	180	200	250	290	320	350
KB-729 6.3 kW	m ³ /min	10.9	10.7	9.7	9.2	8.8	8.2	7.85	6.5	5.15	-	-
KB-829 8.6 kW		10.9	10.7	9.7	9.2	8.8	8.2	7.85	6.5	5.15	4.1	2.7
Series 9	mbar	0	50	100	150	190	230	260	290	320	350	370
KB-919 11.0 kW	m ³ /min	22.4	21.8	21.2	20.0	18.2	-	-	-	-	-	-
KB-929 15.0 kW		22.4	21.8	21.2	20.0	18.2	16.3	14.0	12.1	-	-	-
KB-939 23.0 kW		22.4	21.8	21.2	20.0	18.2	16.3	14.0	12.1	9.8	8.5	7.4



Technical data “vacuum”

KB-series 60 Hz double-stage

Models		Double-stage vacuum										
Series 23	mbar	0	25	50	75	100	125	150	175	200	220	245
KB-2308 0.85 kW	m ³ /min	1.8	1.7	1.51	1.38	1.25	1.07	0.9	0.78	0.63	0.46	0.28
Series 33	mbar	0	50	100	150	200	220	225	275	300	325	350
KB-3319 1.9 kW	m ³ /min	3.0	2.9	2.4	2.0	1.65	1.35	1.2	0.91	0.8	-	-
KB-3319 2.6 kW		3.0	2.9	2.4	2.0	1.65	1.35	1.2	0.91	0.8	0.65	0.47
Series 43	mbar	0	50	100	150	200	250	275	300	350	405	410
KB-4337 3.7 kW	m ³ /min	4.5	4.15	3.9	3.3	2.8	2.0	1.8	1.62	1.18	0.78	-
KB-4346 4.6 kW		4.5	4.15	3.9	3.3	2.8	2.0	1.8	1.62	1.18	0.78	0.75
Series 63	mbar	0	50	100	200	250	300	350	380	400	425	450
KB-6346 4.6 kW	m ³ /min	6.2	6.05	5.9	5.2	4.8	4.05	3.3	2.8	-	-	-
KB-6355 6.3 kW		6.2	6.05	5.9	5.2	4.8	4.05	3.3	2.8	2.5	2.0	-
KB-6375 8.6 kW		6.2	6.05	5.9	5.2	4.8	4.05	3.3	2.8	2.5	2.0	1.8
Series 64	mbar	0	50	100	120	140	160	180	200	220	240	260
KB-6455 6.3 kW	m ³ /min	9.2	8.5	7.7	7.15	6.8	6.2	5.6	5.0	-	-	-
KB-6475 8.6 kW		9.2	8.5	7.7	7.15	6.8	6.2	5.6	5.0	4.4	3.65	2.6
Series 83	mbar	0	75	150	200	320	400	455	500	550	600	650
KB-8310 8.6 kW	m ³ /min	10.9	9.8	8.8	8.35	6.5	-	-	-	-	-	-
KB-8315 13.0 kW		10.9	9.8	8.8	8.35	6.5	5.2	3.9	-	-	-	-
KB-8320 19.0 kW		10.9	9.8	8.8	8.35	6.5	5.2	3.9	3.0	1.8	1.25	0.8
Series 84	mbar	0	25	50	75	100	125	150	175	200	230	260
KB-8415 13.0 kW	m ³ /min	16.5	16.2	15.9	14.9	13.7	13.0	11.9	10.8	9.8	8.8	8.0

Pressure **60 Hz**

Technical data “pressure”

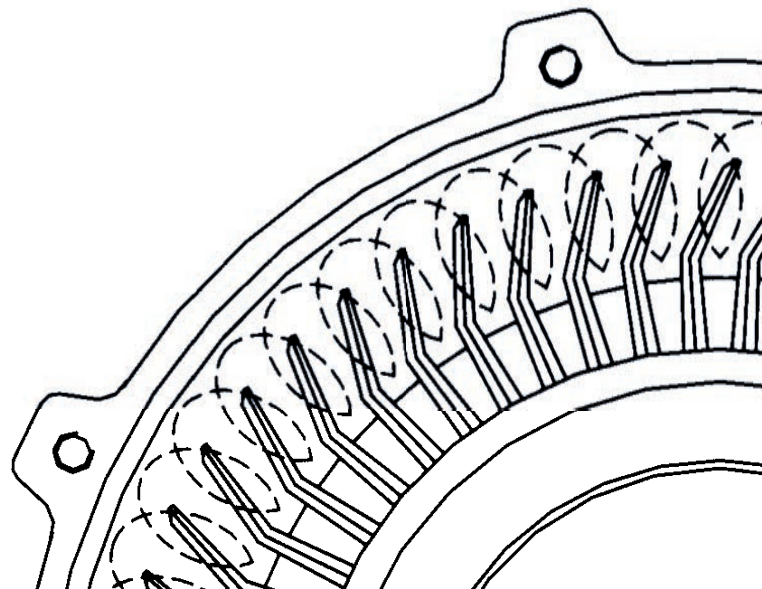
KB-series 60 Hz single-stage

Models		Single-stage pressure										
Series 1	mbar	0	10	20	30	40	50	60	70	80	90	100
KB-129 0.25 kW	m ³ /min	1.0	0.95	0.9	0.85	0.75	0.68	0.51	0.4	0.2	-	-
KB-129-1 0.25 kW	m ³ /min	1.0	0.95	0.9	0.85	0.75	0.68	0.51	0.4	0.2	-	-
Series 2	mbar	0	20	40	60	80	100	120	140	160	170	180
KB-229 0.5 kW	m ³ /min	1.7	1.6	1.5	1.13	1.0	0.87	0.75	0.55	0.42	0.3	-
KB-229-1 0.5 kW		1.7	1.6	1.5	1.13	1.0	0.87	0.75	0.55	0.42	0.3	-
KB-229L 0.5 kW		1.7	1.6	1.5	1.13	1.0	0.87	0.75	0.55	0.42	0.3	-
KB-229L-1 0.5 kW		1.7	1.6	1.5	1.13	1.0	0.87	0.75	0.55	0.42	0.3	-
Series 3	mbar	0	30	60	80	100	120	140	160	180	200	230
KB-329 0.85 kW	m ³ /min	2.9	2.8	2.7	2.5	2.2	2.0	1.75	-	-	-	-
KB-329-1 0.85 kW		2.9	2.8	2.7	2.5	2.2	2.0	1.75	-	-	-	-
KB-329L 0.85 kW		2.9	2.8	2.7	2.5	2.2	2.0	1.75	-	-	-	-
KB-329L-1 0.85 kW		2.9	2.8	2.7	2.5	2.2	2.0	1.75	-	-	-	-
KB-329 1.1 kW		2.9	2.8	2.7	2.5	2.2	2.0	1.75	1.5	1.2	-	-
KB-339 1.5 kW		2.9	2.8	2.7	2.5	2.2	2.0	1.75	1.5	1.2	0.95	0.7
Series 4	mbar	0	40	80	120	140	160	180	200	220	250	300
KB-429 1.5 kW	m ³ /min	4.2	3.7	3.2	2.7	2.3	2.1	1.9	-	-	-	-
KB-429L 1.5 kW		4.2	3.7	3.2	2.7	2.3	2.1	1.9	-	-	-	-
KB-429-1 1.75 kW		4.2	3.7	3.2	2.7	2.3	2.1	1.9	1.8	1.7	-	-
KB-429 1.9 kW		4.2	3.7	3.2	2.7	2.3	2.1	1.9	1.8	1.7	-	-
KB-429L 1.9kW		4.2	3.7	3.2	2.7	2.3	2.1	1.9	1.8	1.7	-	-
KB-429 2.6 kW		4.2	3.7	3.2	2.7	2.3	2.1	1.9	1.8	1.7	1.5	1.18
Series 4 HF	mbar	0	40	80	120	140	160	180	200	220	250	300
KB-429 1.5 kW HF	m ³ /min	5.25	4.33	3.50	3.00	2.67	2.33	2.17	-	-	-	-
KB-429 1.75 kW HF		5.25	4.33	3.50	3.00	2.67	2.33	2.17	1.67	1.33	-	-
KB-429 2.6 kW HF		5.25	4.33	3.50	3.00	2.67	2.33	2.17	1.67	1.33	1.00	0.33

Technical data “pressure”

KB-series 60 Hz single-stage

Models		Single-stage pressure (continued)										
Series 5 & 6	mbar	0	50	100	150	175	200	220	250	280	300	320
KB-529 2.6 kW	m ³ /min	6.2	5.5	4.95	4.2	3.95	3.65	3.45	-	-	-	-
KB-529-1 2.6 kW		6.2	5.5	4.95	4.2	3.95	3.65	3.45	-	-	-	-
KB-529L 2.6 kW		6.2	5.5	4.95	4.2	3.95	3.65	3.45	-	-	-	-
KB-629 3.7 kW		6.2	5.5	4.95	4.2	3.95	3.65	3.45	3.0	2.6	-	-
KB-629-1 3.7 kW		6.2	5.5	4.95	4.2	3.95	3.65	3.45	3.0	2.6	-	-
KB-629L 3.7 kW		6.2	5.5	4.95	4.2	3.95	3.65	3.45	3.0	2.6	-	-
KB-639 4.6 kW		6.2	5.5	4.95	4.2	3.95	3.65	3.45	3.0	2.6	2.3	2.1
Series 5 & 6 HF	mbar	0	50	100	150	175	200	220	250	280	300	320
KB-529 2.6 kW HF	m ³ /min	8.30	7.17	6.67	5.83	5.33	5.00	4.67	4.17	-	-	-
KB-629 3.7 kW HF		8.30	7.17	6.67	5.83	5.33	5.00	4.67	4.17	3.83	-	-
KB-639 4.6 kW HF		8.30	7.17	6.67	5.83	5.33	5.00	4.67	4.17	3.83	3.50	3.00
Series 7 & 8	mbar	0	50	100	150	220	290	300	325	350	375	400
KB-729 6.3 kW	m ³ /min	10.9	9.8	9.3	8.6	7.5	6.1	-	-	-	-	-
KB-829 8.6 kW		10.9	9.8	9.3	8.6	7.5	6.1	5.9	5.2	4.8	4.1	3.4
Series 9	mbar	0	50	100	150	190	250	290	325	350	400	430
KB-919 11.0 kW	m ³ /min	22.4	22.35	22.3	21.7	20.2	-	-	-	-	-	-
KB-929 15.0 kW		22.4	22.35	22.3	21.7	20.2	16.8	14.0	-	-	-	-
KB-939 23.0 kW		22.4	22.35	22.3	21.7	20.2	16.8	14.0	11.9	9.8	7.3	4.4



Pressure **60 Hz**

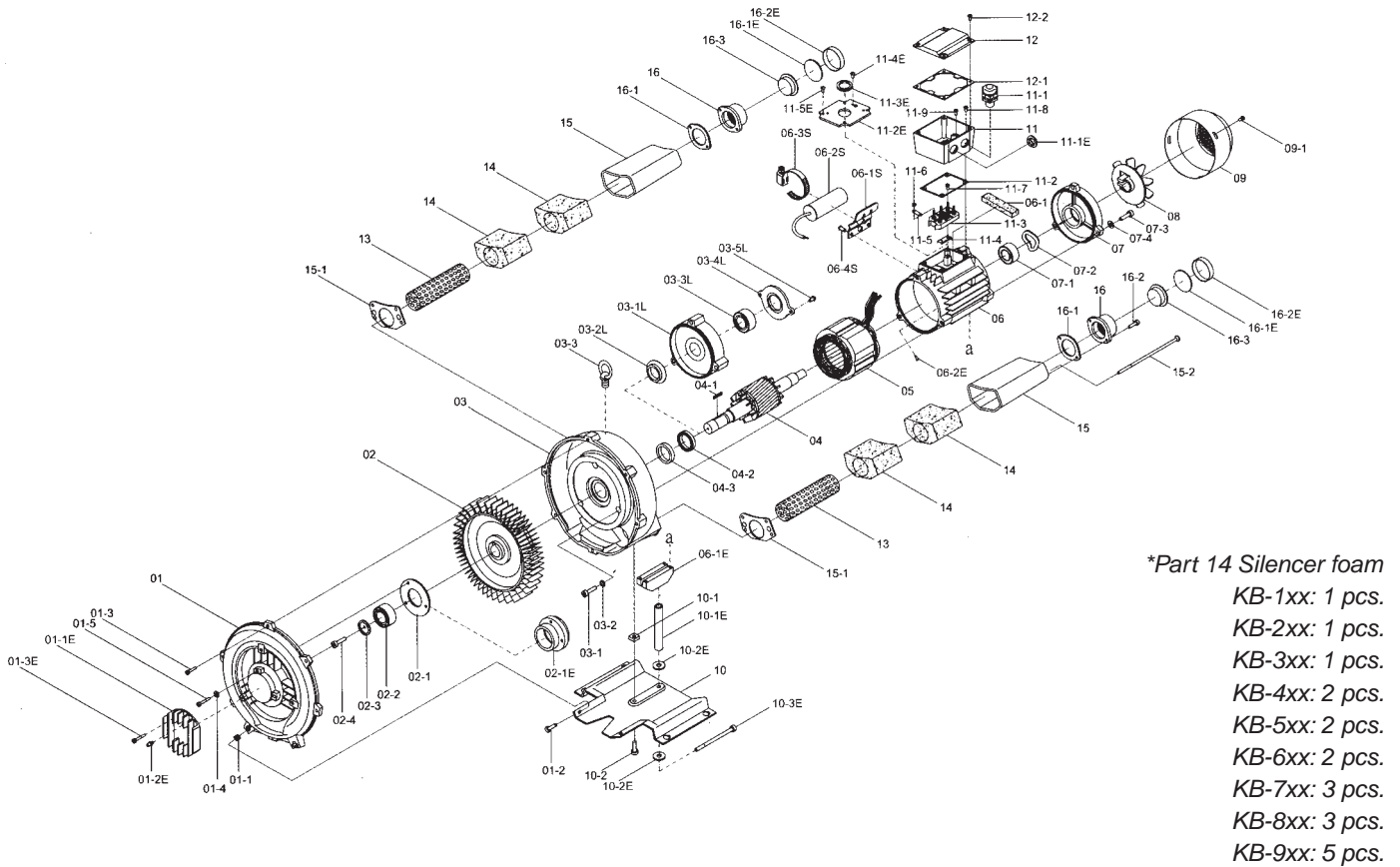
Technical data “pressure”

KB-series 60 Hz double-stage

Models		Double-stage pressure										
Series 23	mbar	0	25	50	75	100	125	150	175	200	220	245
KB-2308 0.85 kW	m ³ /min	1.8	1.75	1.65	1.55	1.4	1.22	1.05	0.9	0.75	0.65	0.5
Series 33	mbar	0	50	100	150	200	250	300	325	350	400	435
KB-3319 1.9 kW	m ³ /min	3.0	2.8	2.5	2.1	1.8	1.6	1.35	-	-	-	-
KB-3326 2.6 kW		3.0	2.8	2.5	2.1	1.8	1.6	1.35	1.18	0.98	0.8	0.68
Series 43	mbar	0	50	100	150	200	250	300	350	415	450	500
KB-4337 3.7 kW	m ³ /min	4.5	4.2	4.0	3.8	3.45	3.15	2.85	2.4	1.85	-	-
KB-4346 4.6 kW		4.5	4.2	4.0	3.8	3.45	3.15	2.85	2.4	1.85	1.75	1.5
Series 63	mbar	0	75	150	200	250	300	380	450	530	600	675
KB-6346 4.6 kW	m ³ /min	6.2	5.8	5.3	5.0	4.8	4.38	3.9	-	-	-	-
KB-6355 6.3 kW		6.2	5.8	5.3	5.0	4.8	4.38	3.9	3.4	2.9	-	-
KB-6375 8.6 kW		6.2	5.8	5.3	5.0	4.8	4.38	3.9	3.4	2.9	2.7	2.3
Series 64	mbar	0	50	100	120	140	160	180	200	220	250	270
KB-6455 6.3 kW	m ³ /min	9.2	8.4	7.65	7.4	7.05	6.8	6.45	6.25	5.9	-	-
KB-6475 8.6 kW		9.2	8.4	7.65	7.4	7.05	6.8	6.45	6.25	5.9	5.4	5.2
Series 83	mbar	0	100	200	320	400	500	550	600	650	700	780
KB-8310 8.6 kW	m ³ /min	10.9	10.8	10.2	9.2	-	-	-	-	-	-	-
KB-8315 13.0 kW		10.9	10.8	10.2	9.2	8.3	6.92	6.45	6.0	-	-	-
KB-8320 19.0 kW		10.9	10.8	10.2	9.2	8.3	6.92	6.45	6.0	5.35	4.85	4.0
Series 84	mbar	0	25	50	75	100	125	150	175	200	230	260
KB-8415 13.0 kW	m ³ /min	16.5	15.7	15.2	14.2	13.8	13.0	12.6	12.0	11.2	10.8	9.95

Single-stage

Exploded view and parts list

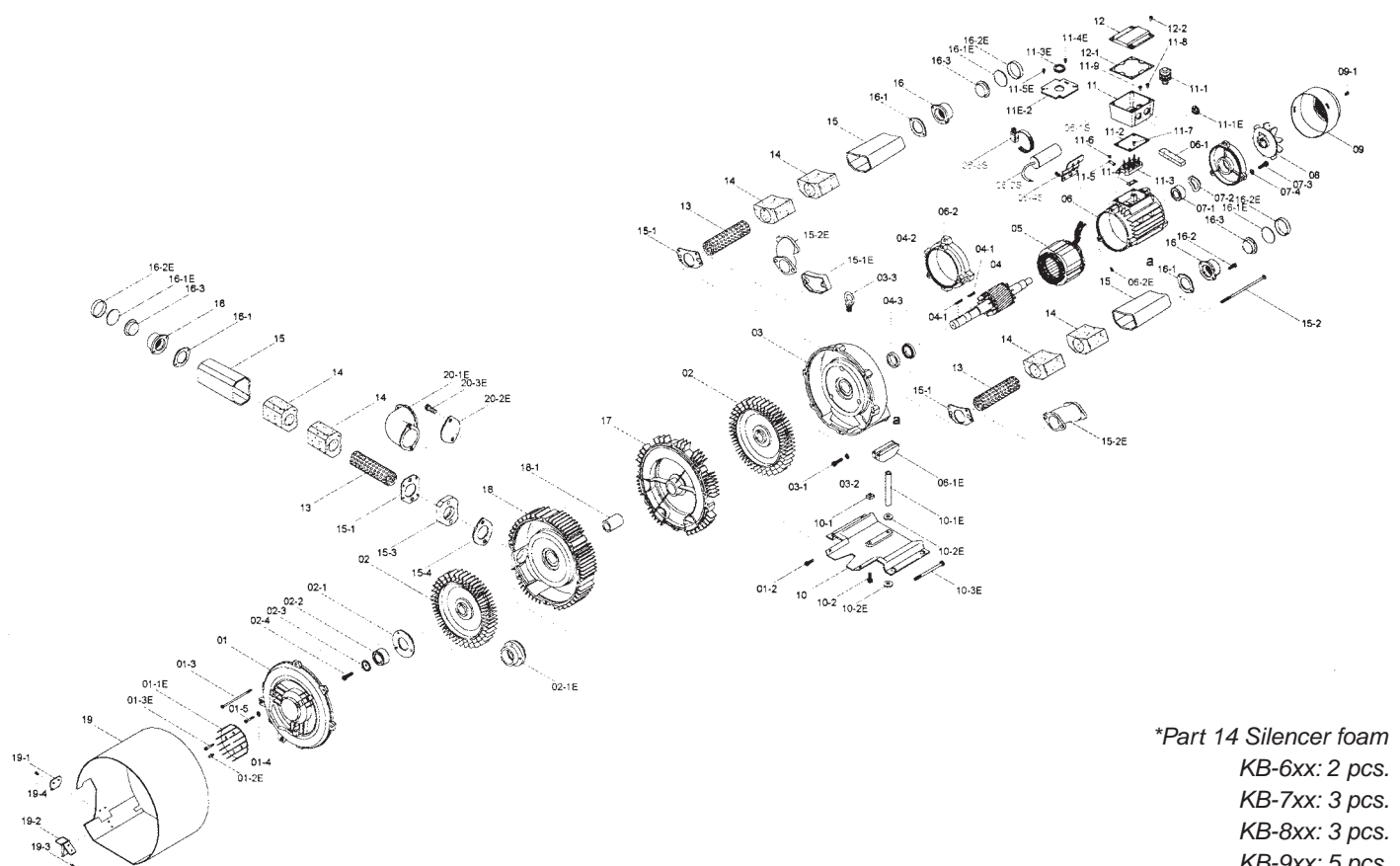


01.	Compressor cover	04.	Rotor	08.	Fan	12.	Upper terminal box
01-1E.	Front bearing cover	04-1.	Key	09.	Fan cover	12-1.	Rubber gasket
01-2E.	Nippel	04-2.	Oli seal	10.	Base	13.	Silencer mesh
02.	Impeller	04-3.	Felt ring	10-1E.	Support	14*	Silencer foam
02-1.	Inner bearing cover	05.	Stator & coil	11.	Lower terminal box	15.	Silencer casing
02-2.	Front bearing	06.	Motor housing	11-1.	Cable gland	15-1.	Silencer gasket
02-3.	Disc	06-1.	Spronge filler	11-2.	Rubber gasket (lower)	16.	Inlet/outlet
02-1E.	Bearing socket	06-1E.	Bracket	11-3.	Terminal board	16-1.	Inlet (outlet) gasket
03.	Compreasure housing	06-1S.	Capacitor bracket	11-4.	Board case	16-3.	Inlet (outlet) plug
03-3.	Eye bolt	06-2S.	Capacitor	11-5.	Wire connection	16-1E.	Inlet (outlet) plate
03-1L.	A-shield (L-Model)	06-3S.	Steel clip	11-6.	Nut	16-2E.	Inlet (outlet) cover
03-2L.	VA-seal (L-Model)	07.	Motor cover	11-1E.	Plug		
03-3L.	Front bearing WP (L)	07-1.	Rear bearing	11-2E.	Steel plate		
03-4L.	Bearing washer (L)	07-2.	Wave washer	11-3E.	Rubber ring		

Parts not listed are standard ones, e.g. nut, screw, washer.

Double-stage

Exploded view and parts list



01.	Compressor cover	06-1.	Spronge filler	11-3.	Terminal board	15-1E.	Outlet cover
01-1E.	Front bearing cover	06-2.	A-shield	11-4.	Board case	15-2E.	Extension Pipe
01-2E.	Nippel	06-1S.	Capacitor bracket	11-5.	Wire connection	16.	Inlet/outlet
02.	Impeller	06-2S.	Capacitor	11-6.	Nut	16-1.	Inlet (outlet) gasket
02-1.	Inner bearing cover	06-3S.	Steel clip	11-1E.	Plug	16-3.	Inlet (outlet) plug
02-2.	Front bearing	07.	Motor cover	11-2E.	Steel plate	16-1E.	Inlet (outlet) plate
02-3.	Disc	07-1.	Rear bearing	11-3E.	Rubber ring	16-2E.	Inlet (outlet) cover
02-1E.	Bearing socket	07-2.	Wave washer	12.	Upper terminal box	17.	Middle cover
03.	Compressure housing	08.	Fan	12-1.	Rubber gasket	18.	Middle housing
03-3.	Eye bolt	09.	Fan cover	13.	Silencer mesh	18-1.	Spacer
04.	Rotor	10.	Base	14*	Silencer foam	19.	Protective cap
04-1.	Key	10-1E.	Support	15.	Silencer casing	19-1.	Buckle (upper)
04-2.	Oli seal	11.	Lower terminal box	15-1.	Silencer gasket	19-2.	Buckle (under)
04-3.	Felt ring	11-1.	Cable gland	15-3.	Silencer block	20-1E.	90° extension pipe
05.	Stator & coil	11-2.	Rubber gasket (upper)	15-4.	Silencer gasket/block	20-2E.	End cover
06.	Motor housing						

Parts not listed are standard ones, e.g. nut, screw, washer.

Specifications type KB 1..

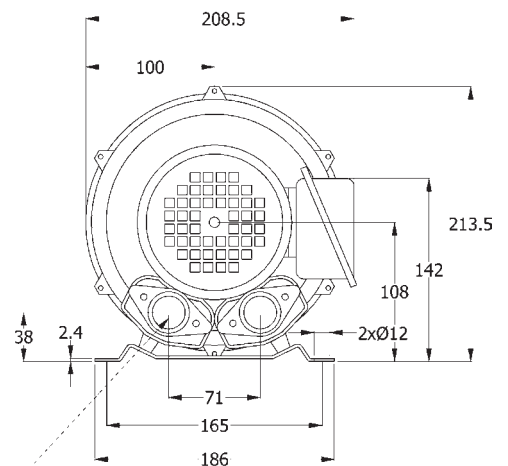
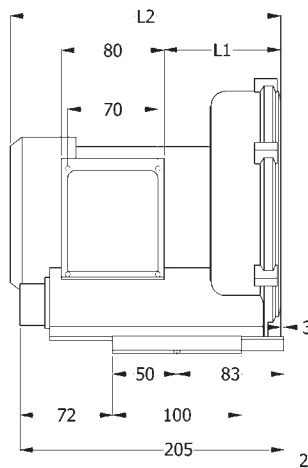
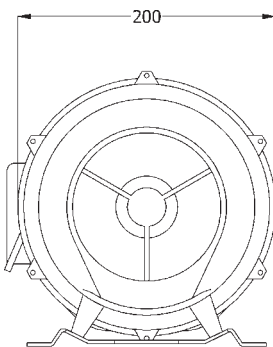
Single-stage (side channel blowers)

- NSK bearings with high temperature grease
- CE, UL and CSA approved

- All units are QC inspected by Klee
- Built-in bi-metal switch for 1-phase models



Type no.		KB-129	KB-129-1
Phases		3	1
Output kW	50 Hz	0.20	0.20
	60 Hz	0.25	0.25
Voltage Volt	50 Hz	230/400	230
	60 Hz	276/480	230
Current Amp	50 Hz	1.2/0.69	1.7
	60 Hz	1.3/0.75	1.8
Vacuum mbar	50 Hz	70	70
	60 Hz	75	75
Pressure mbar	50 Hz	70	70
	60 Hz	80	80
Airflow m ³ /min	50 Hz	0.8	0.8
	60 Hz	1.0	1.0
Insulation class		F	F
L1		90	90
L2		209.5	209.5
Weight Kg		6.5	6.5



Specifications type KB 2..

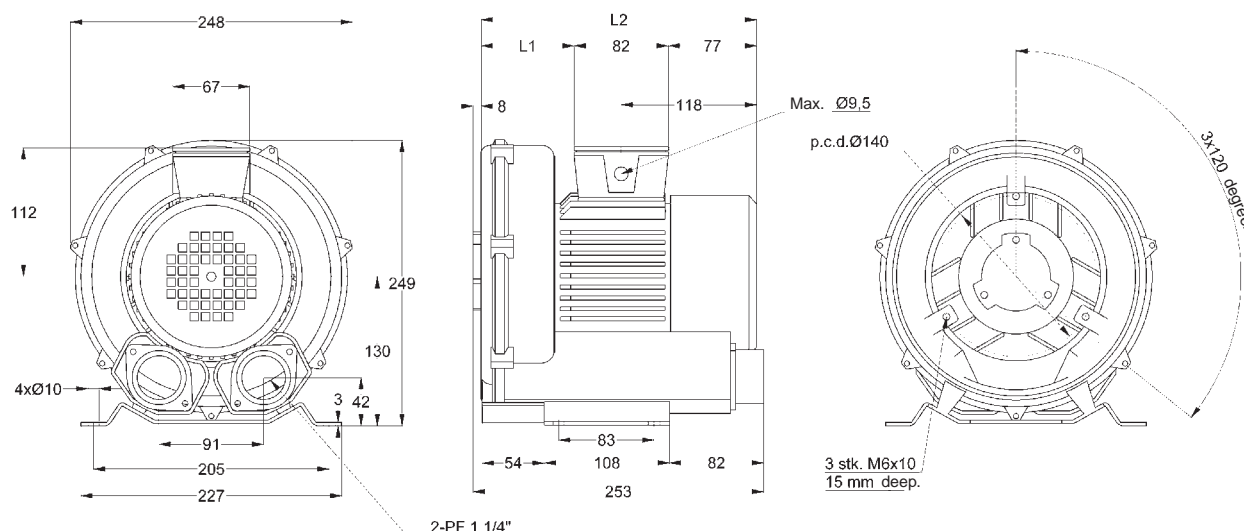
Single-stage (side channel blowers)

- NSK bearings with high temperature grease
- CE, UL and CSA approved

- All units are QC inspected by Klee
- Built-in bi-metal switch for 1-phase models



Type no.		KB-229	KB-229-1	KB-229L	KB-229L-1
Phases		3	1	3	1
Output kW	50 Hz	0.4	0.4	0.4	0.4
	60 Hz	0.5	0.5	0.5	0.5
Voltage Volt	50 Hz	230/400	230	230/400	230
	60 Hz	276/480	276	276/480	276
Current Amp	50 Hz	2.1/1.2	2.8	2.1/1.2	2.8
	60 Hz	2.3/1.3	2.9	2.3/1.3	2.9
Vacuum mbar	50 Hz	110	110	110	110
	60 Hz	140	140	140	140
Pressure mbar	50 Hz	130	130	130	130
	60 Hz	170	170	170	170
Airflow m ³ /min	50 Hz	1.4	1.4	1.4	1.4
	60 Hz	1.7	1.7	1.7	1.7
Insulation class		F	F	F	F
L1		80	80	103	103
L2		239	239	262	262
Weight Kg		11	11.5	11.5	12



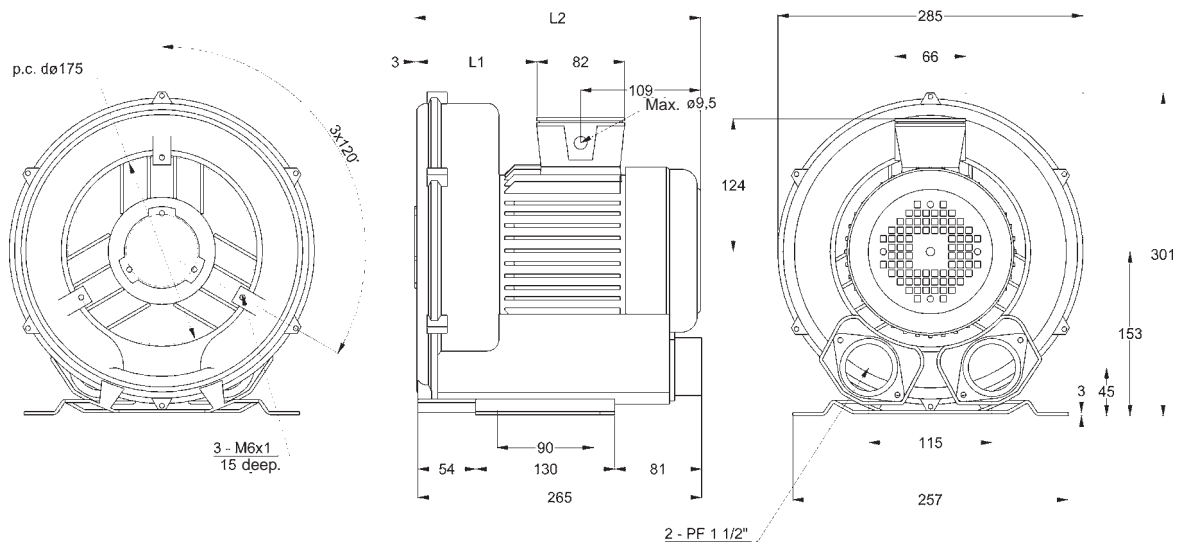
Specifications type KB 3..

Single-stage (side channel blowers)

- NSK bearings with high temperature grease
- CE, UL and CSA approved
- All units are QC inspected by Klee
- Built-in bi-metal switch for 1-phase models
- Available with 3-phase IE2/IE3 motor



Type no.		KB-329	KB-329-1	KB-329L	KB-329L-1	KB-329	KB-339
Phases		3	1	3	1	3	3
Output kW	50 Hz	0.75	0.75	0.75	0.75	0.9	1.3
	60 Hz	0.85	0.85	0.85	0.85	1.1	1.5
Voltage Volt	50 Hz	230/400	230	230/400	230	230/400	230/400
	60 Hz	276/480	276	276/480	276	276/480	276/480
Current Amp	50 Hz	3.3/1.9	6.5	3.3/1.9	6.5	4.2/2.4	4.6/2.7
	60 Hz	3.6/2.1	7	3.6/2.1	7	4.5/2.6	5.2/3.0
Vacuum mbar	50 Hz	140	140	140	140	165	175
	60 Hz	140	140	140	140	180	205
Pressure mbar	50 Hz	140	140	140	140	180	200
	60 Hz	140	140	140	140	180	230
Airflow m³/min	50 Hz	2.4	2.4	2.4	2.4	2.4	2.4
	60 Hz	2.9	2.9	2.9	2.9	2.9	2.9
Insulation class		F	F	F	F	F	F
L1		129	129	161	161	129	129
L2		279	279	311.5	311.5	279	279



Specifications type KB 4..

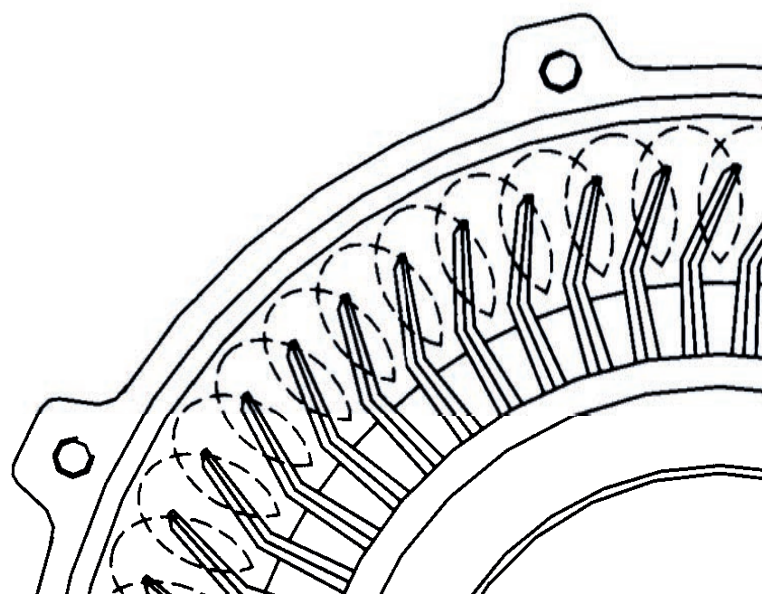
Single-stage (side channel blowers)

- NSK bearings with high temperature grease
- CE, UL and CSA approved
- All units are QC inspected by Klee
- Built-in bi-metal switch for 1-phase models
- Available with 3-phase IE2/IE3 motor



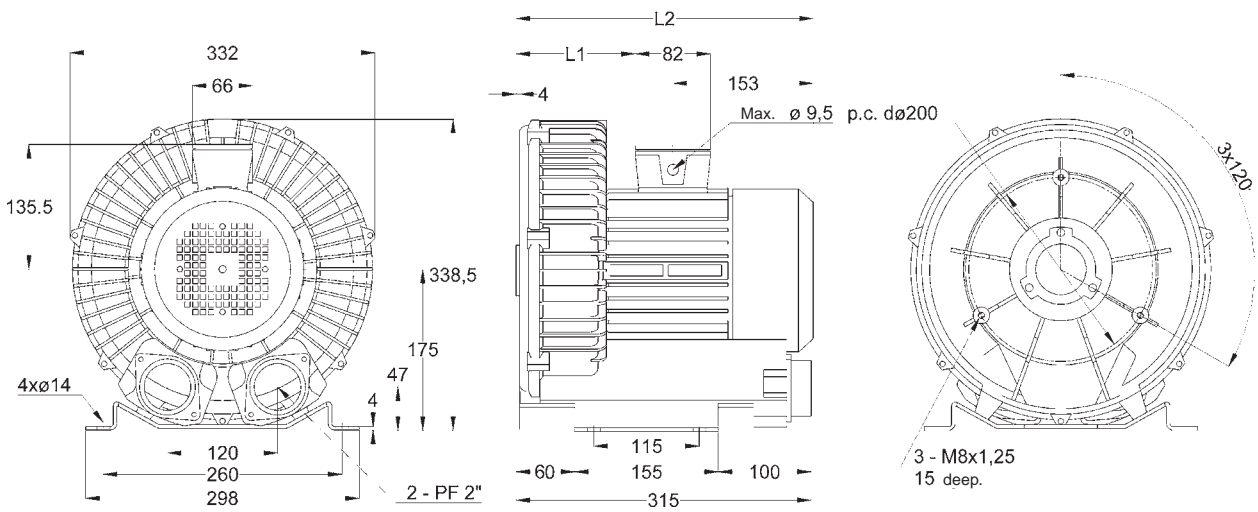
Type no.		KB-429	KB-429-1	KB-429L	KB-429L-1	KB-429HF
Phases		3	1	3	1	3
Output kW	50 Hz	1.3	1.3	1.3	1.3	1.3
	60 Hz	1.5	1.5	1.5	1.5	1.5
Voltage Volt	50 Hz	230/400	230	230/400	230	230/400
	60 Hz	276/480	276	276/480	276	276/480
Current Amp	50 Hz	5.7/3.3	10	5.7/3.3	10	5.7/3.3
	60 Hz	6.0/3.5	11	6.0/3.5	11	6.0/3.5
Vacuum mbar	50 Hz	180	180	180	180	180
	60 Hz	180	180	180	180	180
Pressure mbar	50 Hz	180	180	180	180	180
	60 Hz	180	180	180	180	180
Airflow m ³ /min	50 Hz	3.6	3.6	3.6	3.6	4.40
	60 Hz	4.2	4.2	4.2	4.2	5.25
Insulation class		F	F	F	F	F
L1		126	126	167.5	167.5	167.5
L2		320	320	361.5	361.5	361.5

Continues on the next page.



Continued type KB 4.. (single-stage side channel blowers).

Type no.		KB-429-1	KB-429	KB-429L	KB-429	KB-429HF	KB-429HF
Phases		1	3	3	3	3	3
Output kW	50 Hz	1.5	1.75	1.75	2.2	1.75	2.2
	60 Hz	1.75	1.9	1.9	2.6	1.9	2.6
Voltage Volt	50 Hz	230	230/400	230/400	230/400	230/400	230/400
	60 Hz	276	276/480	276/480	276/480	276/480	276/480
Current Amp	50 Hz	12.3	6.7/3.9	6.7/3.9	7.8/4.5	6.7/3.9	7.8/4.5
	60 Hz	13	7/4	7/4	9.5/5.5	7/4	9.5/5.5
Vacuum mbar	50 Hz	210	210	210	220	210	220
	60 Hz	210	210	210	255	210	255
Pressure mbar	50 Hz	220	220	220	270	220	270
	60 Hz	220	220	220	300	220	300
Airflow m ³ /min	50 Hz	3.6	3.6	3.6	3.6	4.40	4.40
	60 Hz	4.2	4.2	4.2	4.2	5.25	5.25
Insulation class		F	F	F	F	F	F
L1		126	126	167.5	126	126	126
L2		320	320	361.5	320	320	320



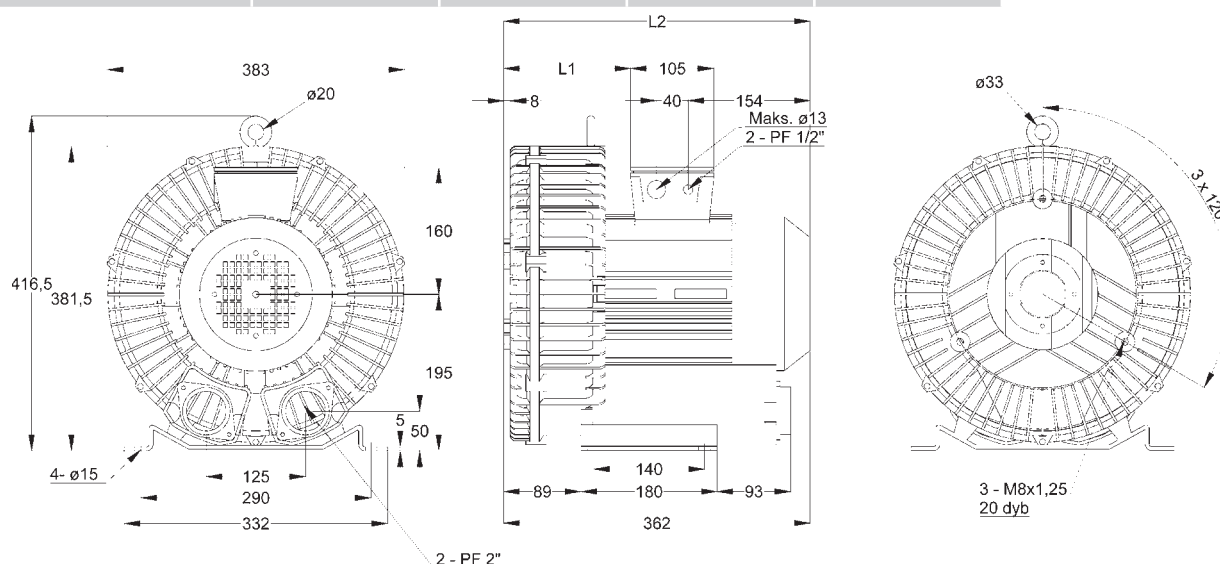
Specifications type KB 5..

Single-stage (side channel blowers)

- NSK bearings with high temperature grease
- CE, UL and CSA approved
- All units are QC inspected by Klee
- Built-in bi-metal switch for 1-phase models
- Available with 3-phase IE2/IE3 motor



Type no.		KB-529	KB-529-1	KB-529L	KB-529HF
Phases		3	1	3	3
Output kW	50 Hz	2.2	2.2	2.2	2.2
	60 Hz	2.6	2.6	2.6	2.6
Voltage Volt	50 Hz	230/400	230	230/400	230/400
	60 Hz	276/480	276	276/480	276/480
Current Amp	50 Hz	9.7/5.6	18	9.7/5.6	9.7/5.6
	60 Hz	10.7/6.2	21.6	10.7/6.2	10.7/6.2
Vacuum mbar	50 Hz	230	230	230	230
	60 Hz	220	220	220	220
Pressure mbar	50 Hz	230	230	230	230
	60 Hz	220	220	220	220
Airflow m ³ /min	50 Hz	5.2	5.2	5.2	6.9
	60 Hz	6.2	6.2	6.2	8.3
Insulation class		F	F	F	F
L1		143.5	143.5	186.5	186.5
L2		370	370	413	413
Weight Kg		32	33.5	33.5	34



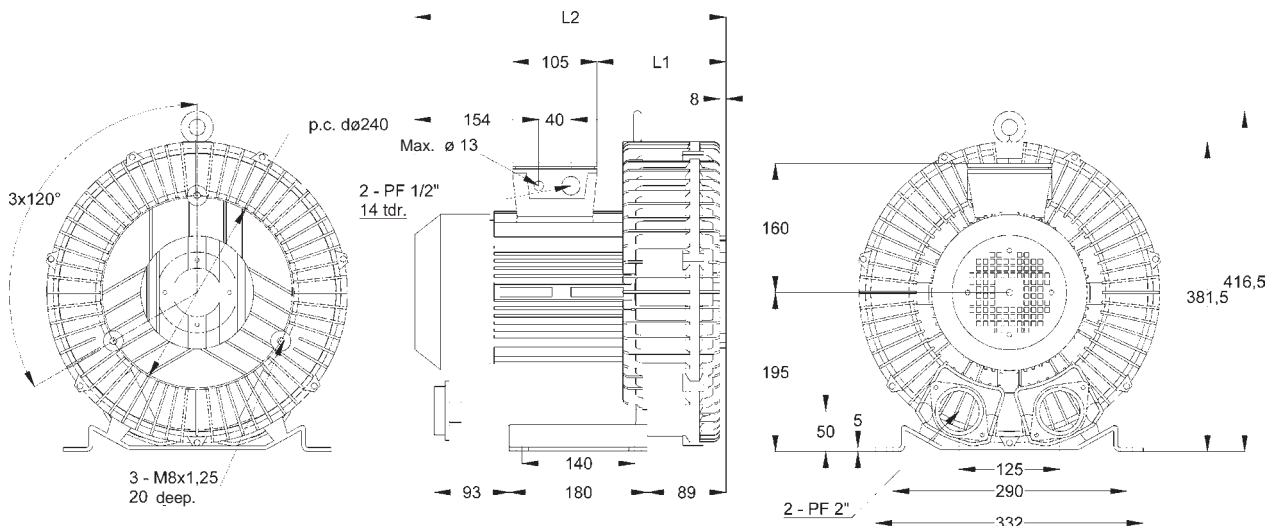
Specifications type KB 6..

Single-stage (side channel blowers)

- NSK bearings with high temperature grease
- CE, UL and CSA approved
- All units are QC inspected by Klee
- Built-in bi-metal switch for 1-phase models
- Available with 3-phase IE2/IE3 motor



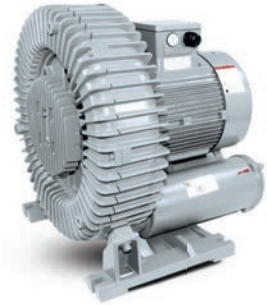
Type no.		KB-629	KB-629-1	KB-629L	KB-639	KB-629HF	KB-639HF
Phases		3	1	3	3	3	3
Output kW	50 Hz	3.4	3.4	3.4	4.0	3.4	4.0
	60 Hz	3.7	3.7	3.7	4.6	3.7	4.6
Voltage Volt	50 Hz	230/400	230	230/400	230/400	230/400	230/400
	60 Hz	276/480	276	276/480	276/480	276/480	276/480
Current Amp	50 Hz	12.5/7.2	28	12.5/7.2	14.3/8.2	12.5/7.2	14.3/8.2
	60 Hz	13.5/7.8	30	13.5/7.8	16.2/9.3	13.5/7.8	16.2/9.3
Vacuum mbar	50 Hz	260	260	260	270	260	270
	60 Hz	280	280	280	315	280	315
Pressure mbar	50 Hz	280	280	280	330	280	330
	60 Hz	280	280	280	320	280	320
Airflow m ³ /min	50 Hz	5.2	5.2	5.2	5.2	6.9	6.9
	60 Hz	6.2	6.2	6.2	6.2	8.30	8.30
Insulation class		F	F	F	F	F	F
L1		143.5	143.5	186.5	143.5	143.5	143.5
L2		370	370	413	370	370	370



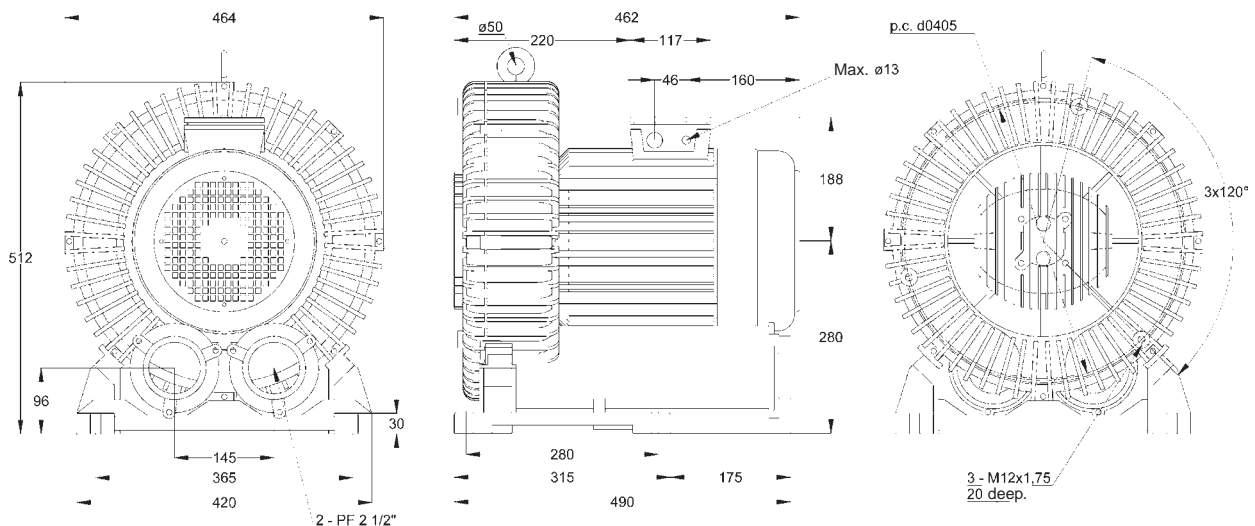
Specifications type KB 7/8..

Single-stage (side channel blowers)

- NSK bearings with high temperature grease
- CE, UL and CSA approved
- All units are QC inspected by Klee
- Built-in bi-metal switch
- Available with 3-phase IE2/IE3 motor



Type no.		KB-729	KB-829
Phases		3	3
Output kW	50 Hz	5.5	7.5
	60 Hz	6.3	8.6
Voltage Volt	50 Hz	400/690	400/690
	60 Hz	480/828	482/828
Current Amp	50 Hz	12/6.9	15.1/8.7
	60 Hz	14.7/8.5	19.1/11.0
Vacuum mbar	50 Hz	270	300
	60 Hz	290	350
Pressure mbar	50 Hz	300	400
	60 Hz	290	400
Airflow m ³ /min	50 Hz	9.2	9.2
	60 Hz	10.9	10.9
Insulation class		H	H
Weight Kg		78	82



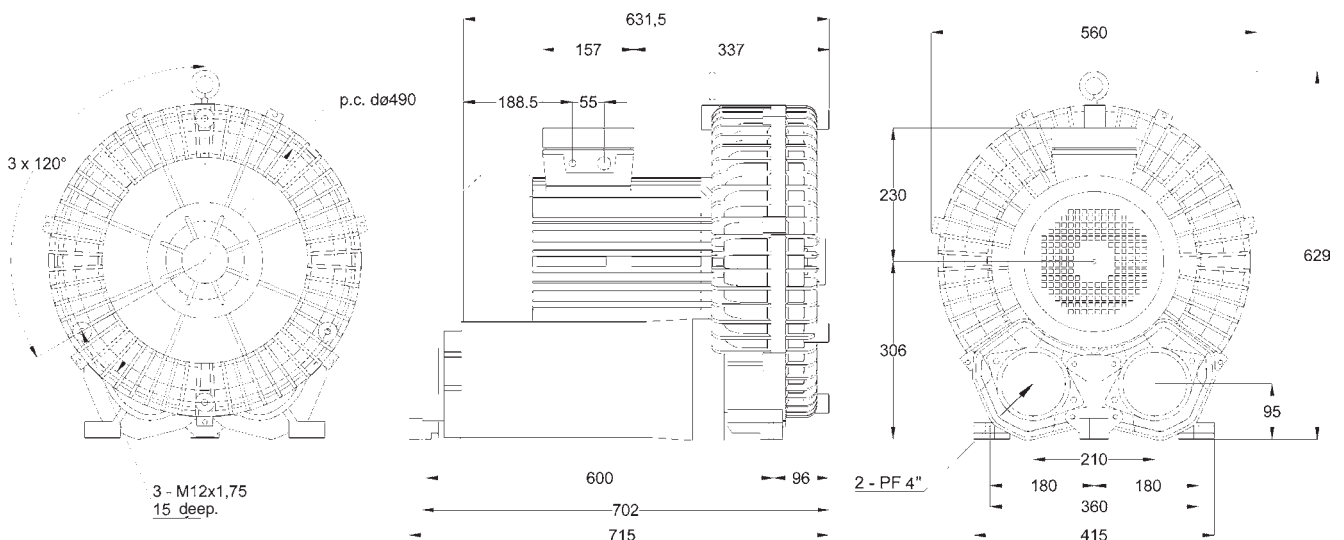
Specifications type KB 9..

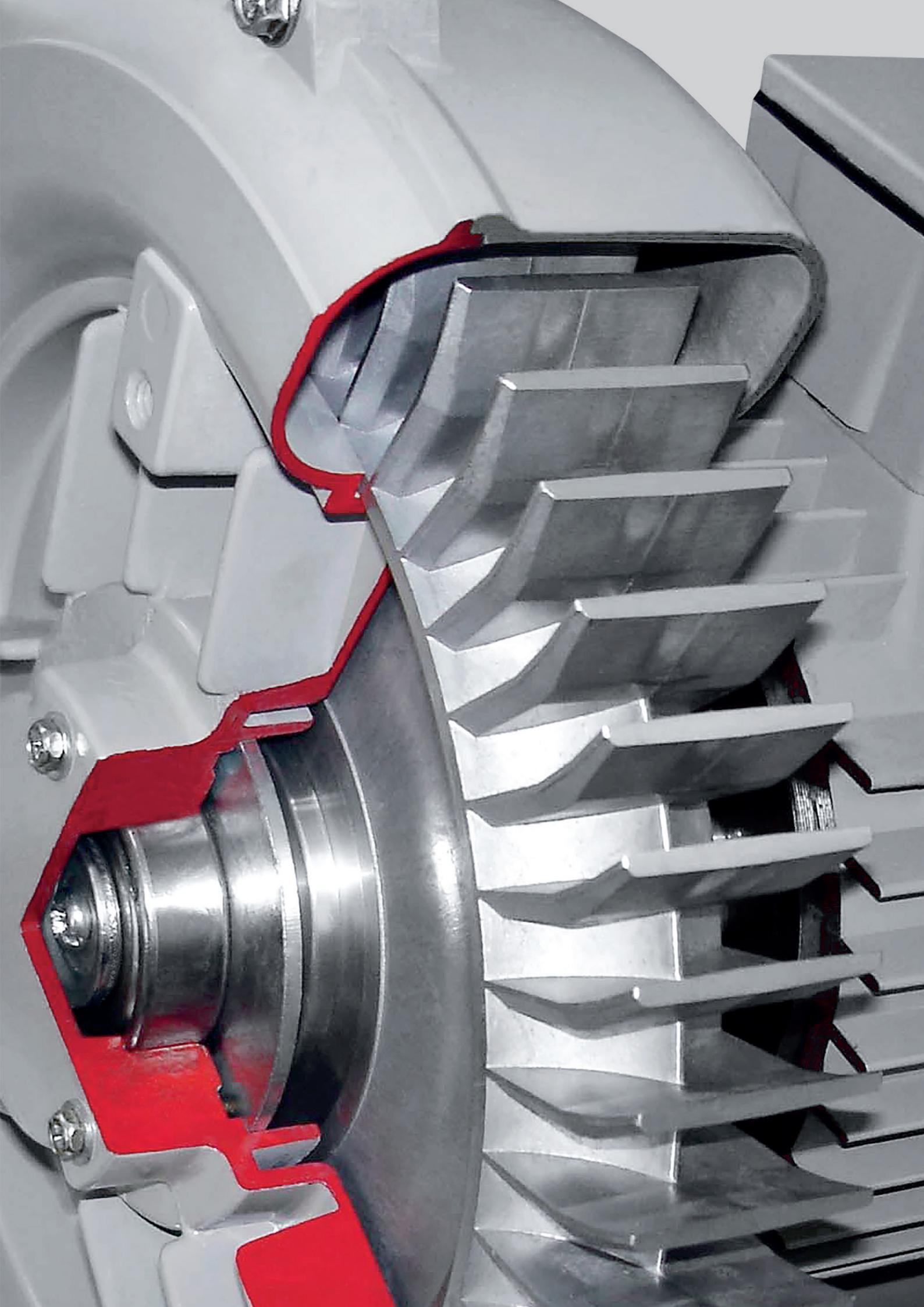
Single-stage (side channel blowers)

- NSK bearings with high temperature grease
- CE, UL and CSA approved
- All units are QC inspected by Klee
- Built-in bi-metal switch
- Available with 3-phase IE2/IE3 motor



Type no.		KB-919	KB-929	KB-939
Phases		3	3	3
Output kW	50 Hz	9	13	20
	60 Hz	11	15	22
Voltage Volt	50 Hz	400/690	400/690	400/690
	60 Hz	480/828	480/828	480/828
Current Amp	50 Hz	20.8/12.0	26.3/15.2	38.6/22.3
	60 Hz	21.4/12.4	28.9/16.7	44/25.3
Vacuum mbar	50 Hz	200	300	350
	60 Hz	190	290	370
Pressure mbar	50 Hz	200	300	450
	60 Hz	190	290	430
Airflow m ³ /min	50 Hz	18.9	18.9	18.9
	60 Hz	22.4	22.4	22.4
Insulation class		H	H	H
Weight Kg		100	112	159





Type designation/models

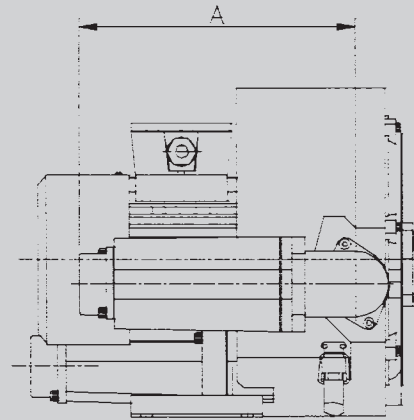
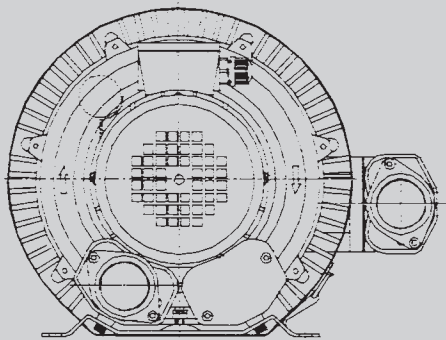
Double-stage (side channel blowers)

Description for maximum pressure:

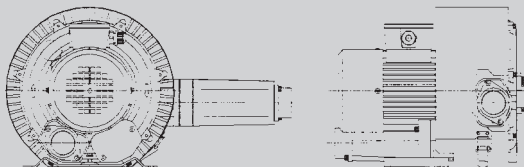
KB (x)3.. = Serially connected impeller

Description for maximum flow:

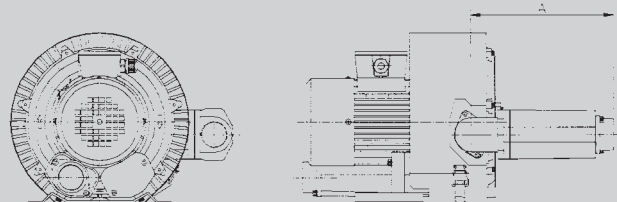
KB (x)4.. = Parallel connected impeller



Type KB23.. - KB33.. - KB43.. - KB63.. - KB83..



90 degree outlet on request



Special version on request

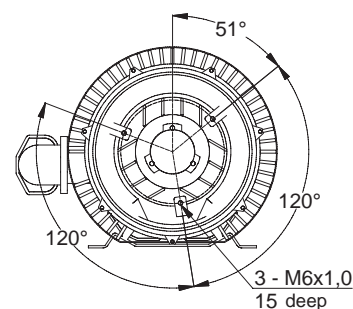
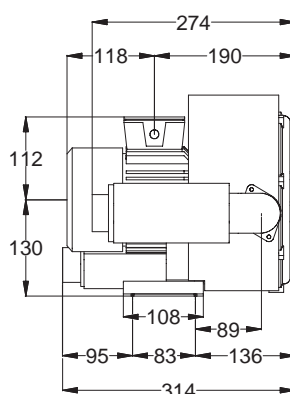
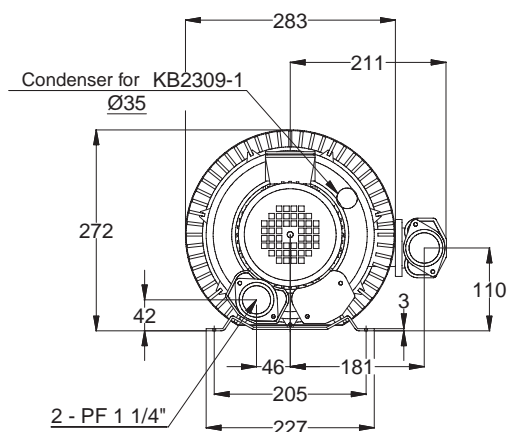
Specifications type KB 23..

Double-stage (side channel blowers)

- NSK bearings with high temperature grease
- CE, UL and CSA approved
- All units are QC inspected by Klee
- Built-in bi-metal switch for 1-phase models
- Available with 3-phase IE2/IE3 motor



Type no.		KB-2308	KB-2308-1
Phases		3	1
Output kW	50 Hz	0.75	0.75
	60 Hz	0.85	0.85
Voltage Volt	50 Hz	230/400	230
	60 Hz	276/480	276
Current Amp	50 Hz	3.3/1.9	12.3
	60 Hz	3.6/2.1	13
Vacuum mbar	50 Hz	200	200
	60 Hz	245	245
Pressure mbar	50 Hz	240	240
	60 Hz	245	245
Airflow m ³ /min	50 Hz	1.5	1.5
	60 Hz	1.8	1.8
Insulation class		F	F
Weight Kg		17	17



Specifications type KB 33..

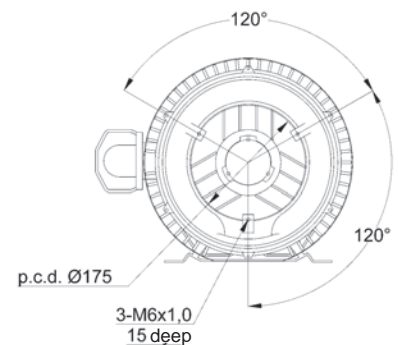
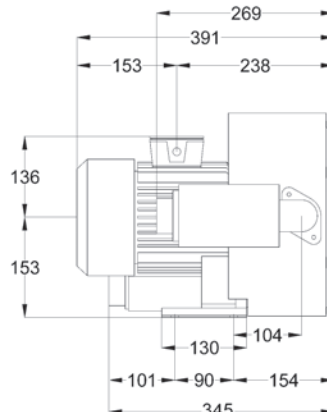
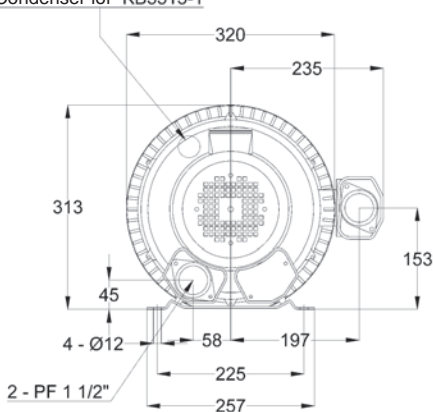
Double-stage (side channel blowers)

- NSK bearings with high temperature grease
- CE, UL and CSA approved
- All units are QC inspected by Klee
- Built-in bi-metal switch for 1-phase models
- Available with 3-phase IE2/IE3 motor



Type no.		KB-3315-1	KB-3319	KB-3326
Phases		1	3	3
Output kW	50 Hz	1.3	1.75	2.2
	60 Hz	1.5	1.9	2.6
Voltage Volt	50 Hz	230	230/400	230/400
	60 Hz	276	276/480	276/480
Current Amp	50 Hz	12.3	6.7/3.9	7.8/4.5
	60 Hz	13	7/4	9.5/5.5
Vacuum mbar	50 Hz	220	275	280
	60 Hz	235	300	350
Pressure mbar	50 Hz	250	320	375
	60 Hz	250	300	435
Airflow m ³ /min	50 Hz	2.6	2.6	2.6
	60 Hz	3.0	3.0	3.0
Insulation class		F	F	F
Weight Kg		24	25	28

Condenser for KB3315-1



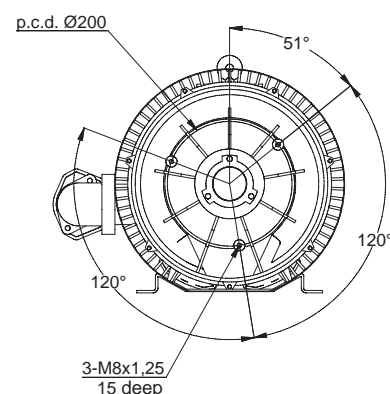
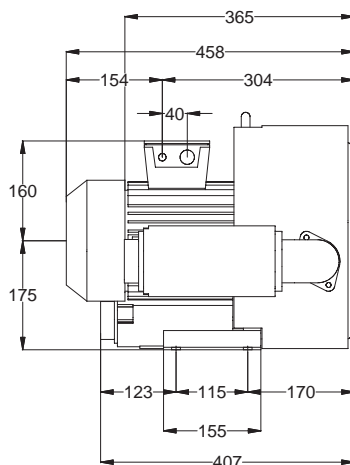
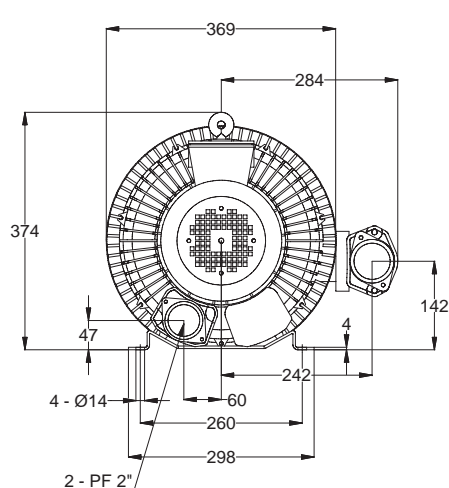
Specifications type KB 43..

Double-stage (side channel blowers)

- NSK bearings with high temperature grease
- CE, UL and CSA approved
- All units are QC inspected by Klee
- Built-in bi-metal switch for 1-phase models
- Available with 3-phase IE2/IE3 motor



Type no.		KB-4337	KB-4346
Phases		3	3
Output kW	50 Hz	3.4	4.0
	60 Hz	3.7	4.6
Voltage Volt	50 Hz	230/400	230/400
	60 Hz	276/480	276/480
Current Amp	50 Hz	12.5/7.2	14.3/8.2
	60 Hz	13.5/7.8	16.2/9.3
Vacuum mbar	50 Hz	345	355
	60 Hz	405	410
Pressure mbar	50 Hz	410	460
	60 Hz	415	495
Airflow m ³ /min	50 Hz	3.7	3.7
	60 Hz	4.5	4.5
Insulation class		F	F
Weight Kg		43	45



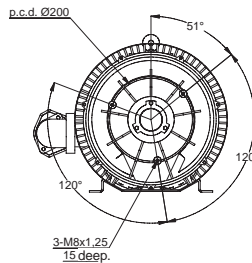
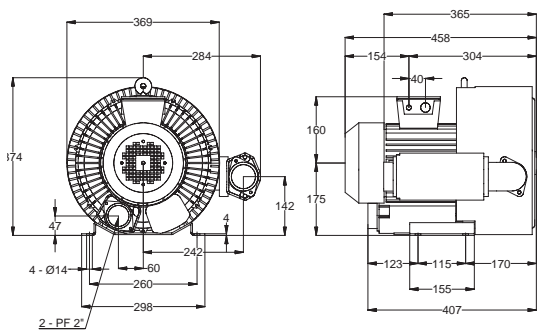
Specifications type KB 63..

Double-stage (side channel blowers)

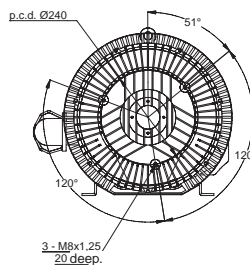
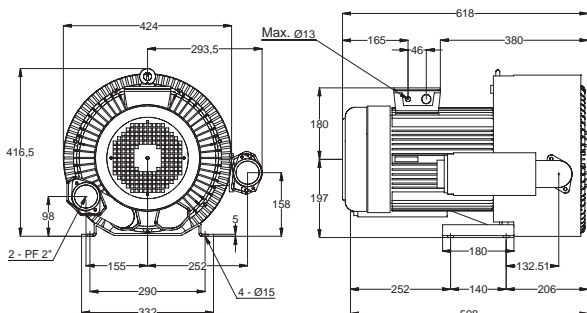
- NSK bearings with high temperature grease
- CE, UL and CSA approved
- All units are QC inspected by Klee
- Built-in bi-metal switch for 1-phase models from 5.5 kW
- Available with 3-phase IE2/IE3 motor



Type no.		KB-6346	KB-6355	KB-6375
Phases		3	3	3
Output kW	50 Hz	4.0	5.5	7.5
	60 Hz	4.6	6.3	8.0
Voltage Volt	50 Hz	230/400	230/400	230/400
	60 Hz	276/480	276/480	276/480
Current Amp	50 Hz	14.3/8.2	21/12	27/15.6
	60 Hz	16.2/9.3	26.5/15.3	34/19.6
Vacuum mbar	50 Hz	360	410	420
	60 Hz	380	425	450
Pressure mbar	50 Hz	380	515	580
	60 Hz	380	530	675
Airflow m³/min	50 Hz	5.2	5.2	5.2
	60 Hz	6.2	6.2	6.2
Insulation class		F	H	H
Weight Kg		55	72	81



Type KB-6346.



Type KB-6355 and Type KB-6375.

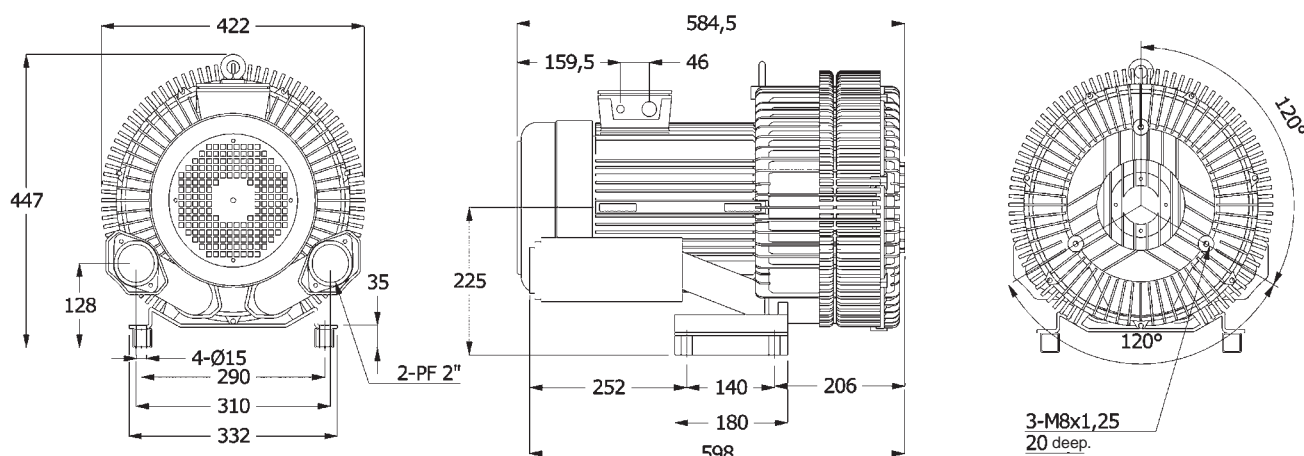
Specifications type KB 64..

Double-stage (side channel blowers)

- NSK bearings with high temperature grease
- CE, UL and CSA approved
- All units are QC inspected by Klee
- Built-in bi-metal switch for 1-phase models
- Available with 3-phase IE2/IE3 motor



Type no.		KB-6455	KB-6475
Phases		3	3
Output kW	50 Hz	5.5	7.5
	60 Hz	6.3	8.0
Voltage Volt	50 Hz	400/690	400/690
	60 Hz	480/828	480/828
Current Amp	50 Hz	12/6.9	15.6/9.0
	60 Hz	15.3/8.8	19.6/11.3
Vacuum mbar	50 Hz	200	240
	60 Hz	200	260
Pressure mbar	50 Hz	220	270
	60 Hz	220	270
Airflow m ³ /min	50 Hz	7.8	7.8
	60 Hz	9.2	9.2
Insulation class		H	H
Weight Kg		70	81



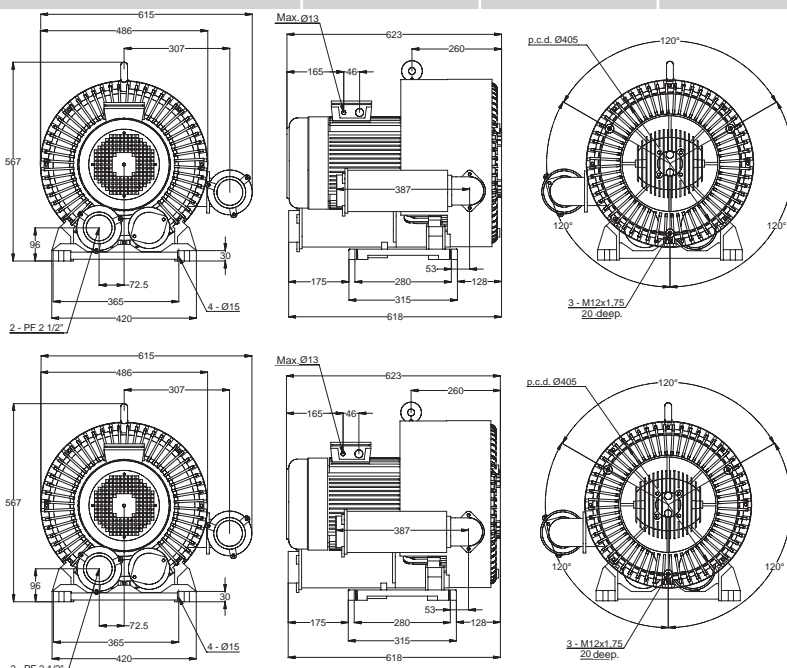
Specifications type KB 83..

Double-stage (side channel blowers)

- NSK bearings with high temperature grease
- CE, UL and CSA approved
- All units are QC inspected by Klee
- Built-in bi-metal switch for 1-phase models
- Available with 3-phase IE2/IE3 motor



Type no.		KB-8310	KB-8315	KB-8320
Phases		3	3	3
Output kW	50 Hz	7.5	11	16
	60 Hz	8.6	13	19
Voltage Volt	50 Hz	400/690	400/690	400/690
	60 Hz	480/828	480/828	480/828
Current Amp	50 Hz	15.6/9.0	27/15.6	39/22.5
	60 Hz	19.6/11.3	30/17.3	42/24.3
Vacuum mbar	50 Hz	320	430	450
	60 Hz	320	455	650
Pressure mbar	50 Hz	320	600	700
	60 Hz	320	600	780
Airflow m³/min	50 Hz	9.6	9.6	9.6
	60 Hz	10.9	10.9	10.9
Insulation class		H	H	H
Weight Kg		112	142	160



Type KB-8310.

Type KB-8315 and Type KB-8320.

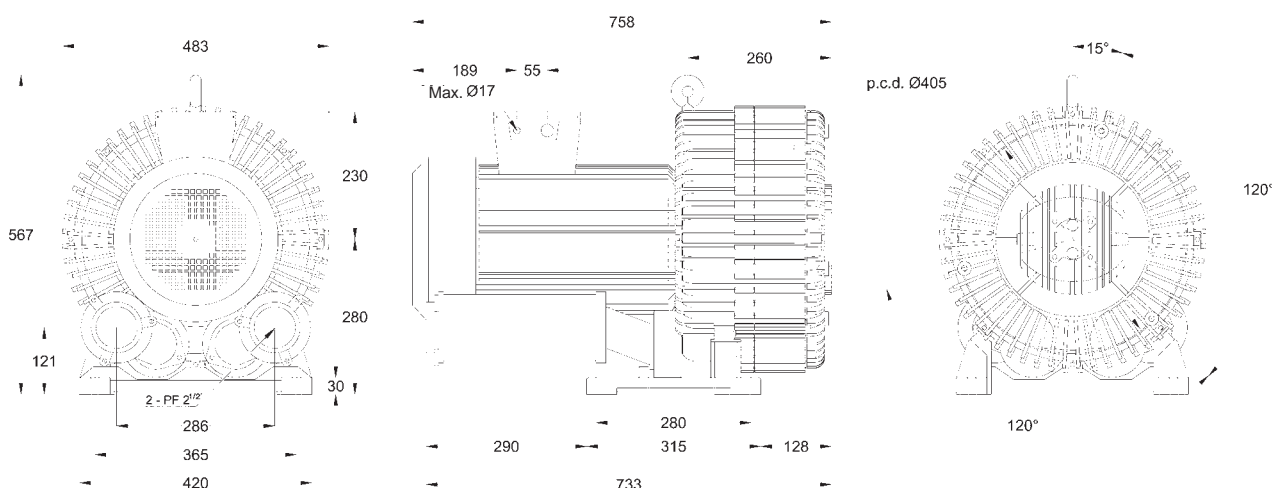
Specifications type KB 84..

Double-stage (side channel blowers)

- NSK bearings with high temperature grease
- CE, UL and CSA approved
- All units are QC inspected by Klee
- Built-in bi-metal switch for 1-phase models
- Available with 3-phase IE2/IE3 motor



Type no.		KB-8415
Phases		3
Output kW	50 Hz	11
	60 Hz	13
Voltage Volt	50 Hz	400/690
	60 Hz	480/828
Current Amp	50 Hz	25/14.5
	60 Hz	27.5/15.9
Vacuum mbar	50 Hz	260
	60 Hz	260
Pressure mbar	50 Hz	260
	60 Hz	260
Airflow m ³ /min	50 Hz	14.2
	60 Hz	16.5
Insulation class		H
Weight Kg		140

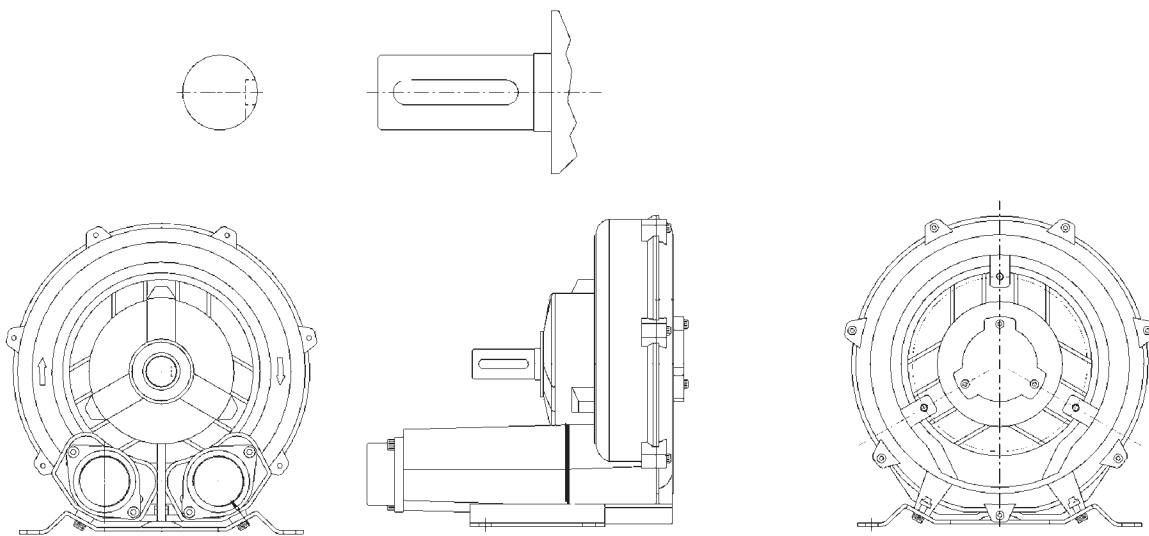


Bare shaft

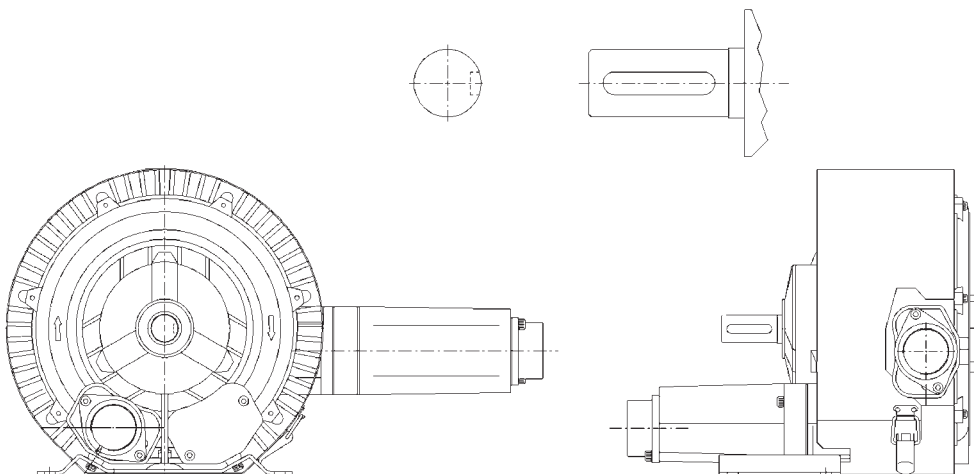
Information page

We supply side channel blowers in both single- and double-stage models with bare shaft for belt drive.

The size of the pulley can be changed by lowering the speed and changing the pressure/vacuum or airflow of the side channel blower.



Single-stage type KB-201, KB-301, KB-401, KB-601, KB-801 and KB-901.



Double-stage type KB-231, KB-331, KB-431, KB-631, KB-641 and KB-831.

KLEEblower KPB

IE3 for higher efficiency

New: KLEEblower type KPB with integrated IE3 motor is available on request.

Contact us for more information.

Other options for side channel blowers

- IE2 + IE3 versions
- Large selection of colors
- Insulated ceramic bearings
- Phoenix plug
- Sensors e.g. PT100.



Silencer

Accessories for side channel blowers

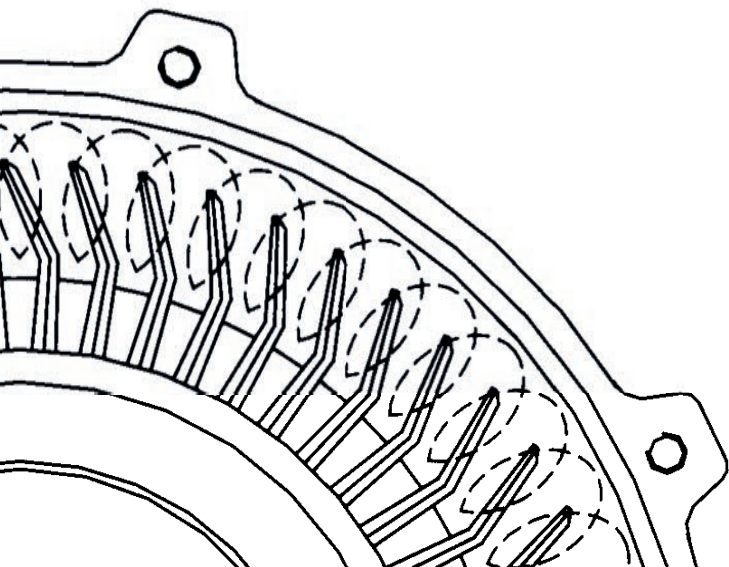
Silencer

Application:

- For reduction of noise level 5 db.
- Used in side channel blowers and suitable for both pressure and vacuum use.

- Durable operation temperature:
-10 °C to +120 °C
- Keep away from grease and volatile oil/gas.

Type no.	Thread (BSPT)	For model
SI-2	2"	KB-1... – KB-6...
SI-2	3"	KB-7... – KB-8...

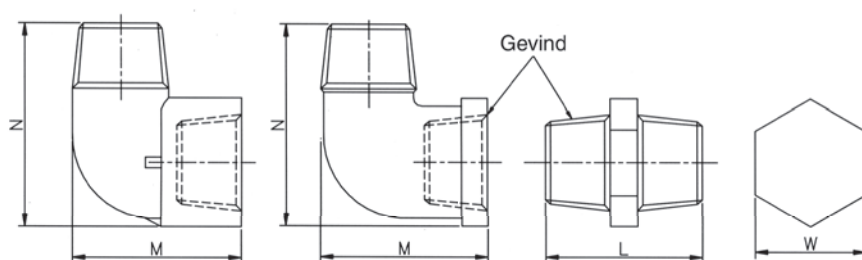


Pipe bend & inlet air filter

Accessories for side channel blowers

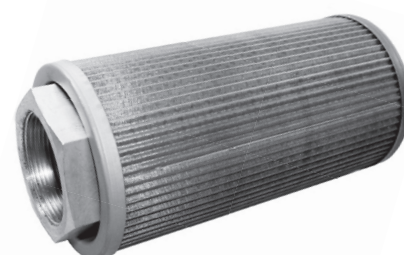
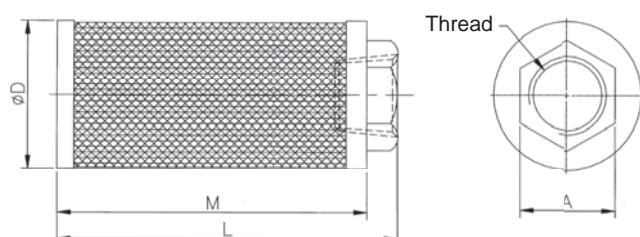
Pipe bend

Type no.	Thread (BPST)	L [mm]	M [mm]	N [mm]	W [mm]	Material	For model
BC-10	1"	52	52	73	38	Cast iron	KB-1...
BC-12	1 1/4"	56	65	90	47	Cast iron	KB-2..., KB-23..
BC-15	1 1/2"	60	73	97	54	Cast iron	KB-3..., KB-33..
BC-20	2"	67	85	120	65	Cast iron	KB-4..., KB-5..., KB-6..., KB-43..., KB-63..., KB-64..
BP-20	2"	75	94	110	67	Plastic	KB-4..., KB-5..., KB-6..., KB-43..., KB-63..., KB-64..
BC-25	2 1/2"	76	105	137	82	Cast iron	KB-7..., KB-8..., KB-83..., KB-84..
BC-40	4"	96	165	233	121	Cast iron	KB-9...



Inlet air filter (If inlet not is connected to any pipe, a filter with larger area has to be installed on the inlet).

Type no.	Thread (BPST)	A [mm]	D [mm]	L [mm]	M [mm]	Filtration mesh (MY)	For model
MF-08	1"	42	58	170	155	100	KB-1...
MF-10	1 1/4"	54	71	186	170	100	KB-2..., KB-23..
MF-12	1 1/2"	65	85	196	182	100	KB-3..., KB-33..
MF-16	2"	75	103	215	202	100	KB-4..., KB-5..., KB-6..., KB-43..., KB-63..., KB-64..
MF-20	2 1/2"	97	148	274	252	100	KB-4..., KB-5..., KB-6..., KB-43..., KB-63..., KB-64..
MF-32	4"	142	208	380	357	100	KB-7..., KB-8..., KB-83..., KB-84..

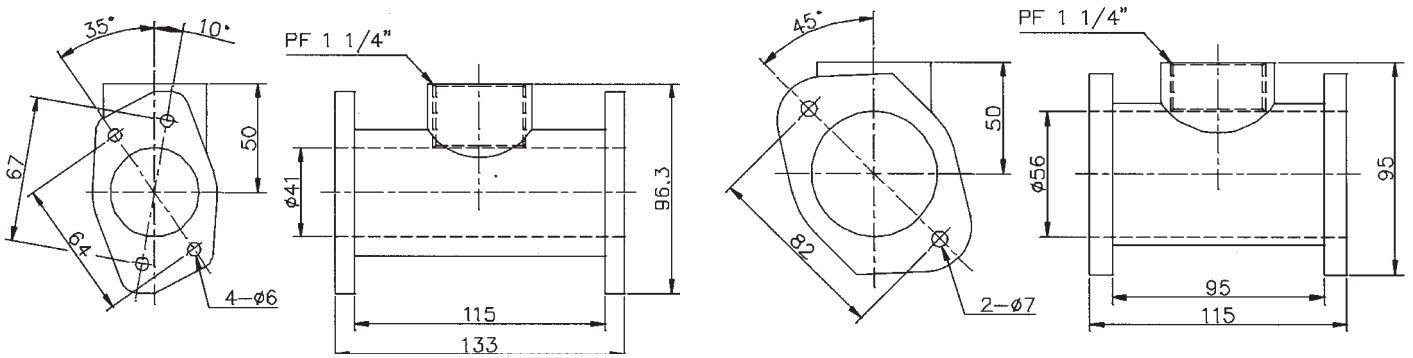


T-angle, pressure/vacuum valve

Accessories for side channel blowers

T-angle for pressure- & vacuum relief valve

Type	Thread (BPST)	For model	Material
TB01	1 1/4"	KB-2..., KB3...	Aluminum
TB02	1 1/4"	KB-4..., KB5..., KB6...	Aluminum



Pressure and vacuum relief valve 2 in 1 model

The Klee safety valve is both a pressure relief and vacuum limiting valve that protects the fan and ensures optimum efficiency.

The safety valve opens and releases the excess pressure or restricting the vacuum by drawing air from the outside.

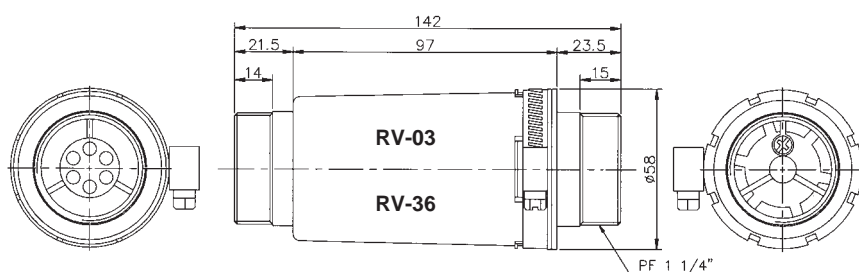


Pressure- & vacuum relief valve

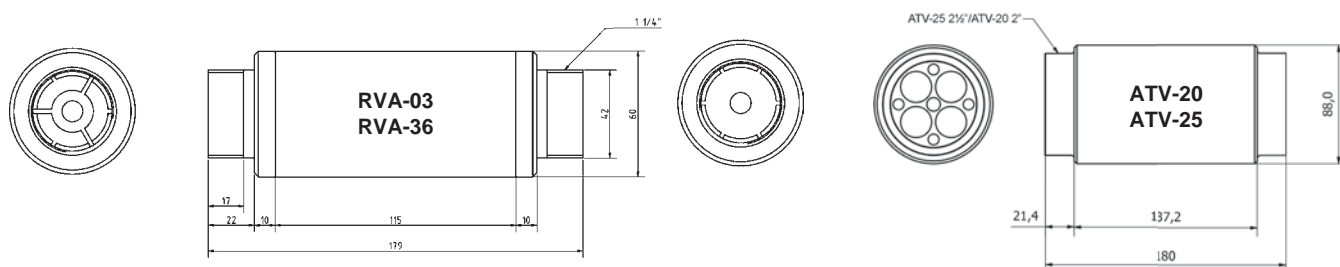
Accessories for side channel blowers



Type	Thread (BPST)	Range mbar	Material	For model
RV-03	1 1/4"	0-300	Plastic PVC	Page 10-11 and 20-21
RV-36	1 1/4"	300-600	Plastic PVC	Page 10-11 and 20-21



Type	Thread (BPST)	Range mbar	Material	For model
RVA-03	1 1/4"	0-300	Aluminum	Page 10-11 and 20-21
RVA-36	1 1/4"	300-600	Aluminum	Page 10-11 and 20-21
ATV-20	2"	200-280	Aluminum	Page 10-11 and 20-21
ATV-25	2 1/2"	280-350	Aluminum	Page 10-11 and 20-21





ALFA

Technical specifications table with multiple columns and rows of data, including numerical values and possibly unit abbreviations.



Additional text or a URL at the bottom of the label, possibly starting with "www.alfalab.com".

Inlets/outlets

Accessories for side channel blowers

Inlet/outlet for hose pipe in cast aluminum

Type no.	D [mm]	d [mm]	H [mm]	L [mm]	P [mm]	Fig. [mm]	For model
1-OD-32	32	5.5	29	35	50	1	KB-1...
2-OD-32	32	6	31	38	64	1	KB-2..., KB-23...
2-OD-37	37	6	31	38	64	1	KB-2..., KB-23...
3-OD-44	44	6	37	44	67	1	KB-3..., KB-33...
3-OD-51	51	6	31	38	67	1	KB-3..., KB-33...
4-OD-50	50	7	44	52	83	1	KB-4..., KB-5..., KB-6..., KB-43..., KB-63..., KB-64...
4-OD-57	57	7	58	65	83	1	KB-4..., KB-5..., KB-6..., KB-43..., KB-63..., KB-64...
3-OD-44-2	44	7	28	57	67	2	KB-3..., KB-33...
3-OD-55-2	55	7	52	105	67	2	KB-3..., KB-33...

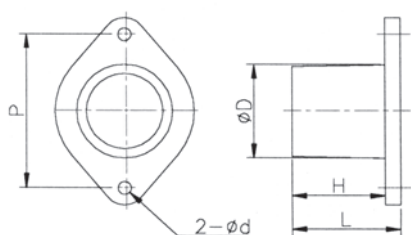


Fig. 1

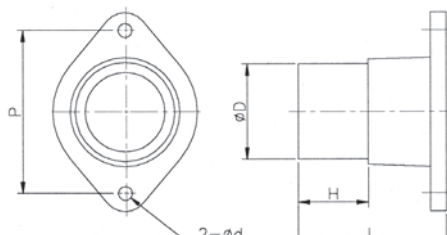


Fig. 2



Threaded inlet/outlet in cast aluminum or cast iron

Type no.	Thread (BSPT)	d [mm]	H [mm]	L [mm]	P [mm]	Fig. [mm]	For model
1-T10	1"	5.5	18	23	50	3	KB-1...
2-T12	1 1/4"	6	22	29	64	3	KB-2..., KB-23...
3-T15	1 1/2"	6	24	31	67	3	KB-3..., KB-33...
5-T20	2"	7	18	25	83	3	KB-4..., KB-5..., KB-6..., KB-43..., KB-63..., KB-64...
7-T25	2 1/2"	7	16	31	130	4	KB-7..., KB-8..., KB-83..., KB-84...
9-T40	4"	9	29	36	150	3	KB-9...

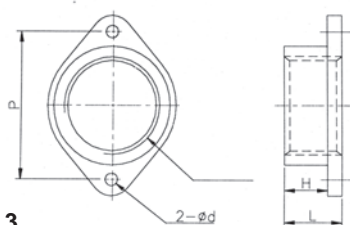


Fig. 3

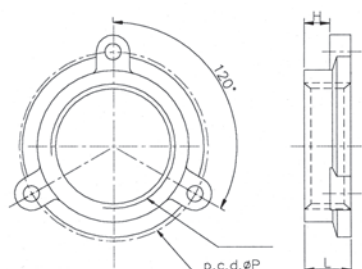


Fig. 4

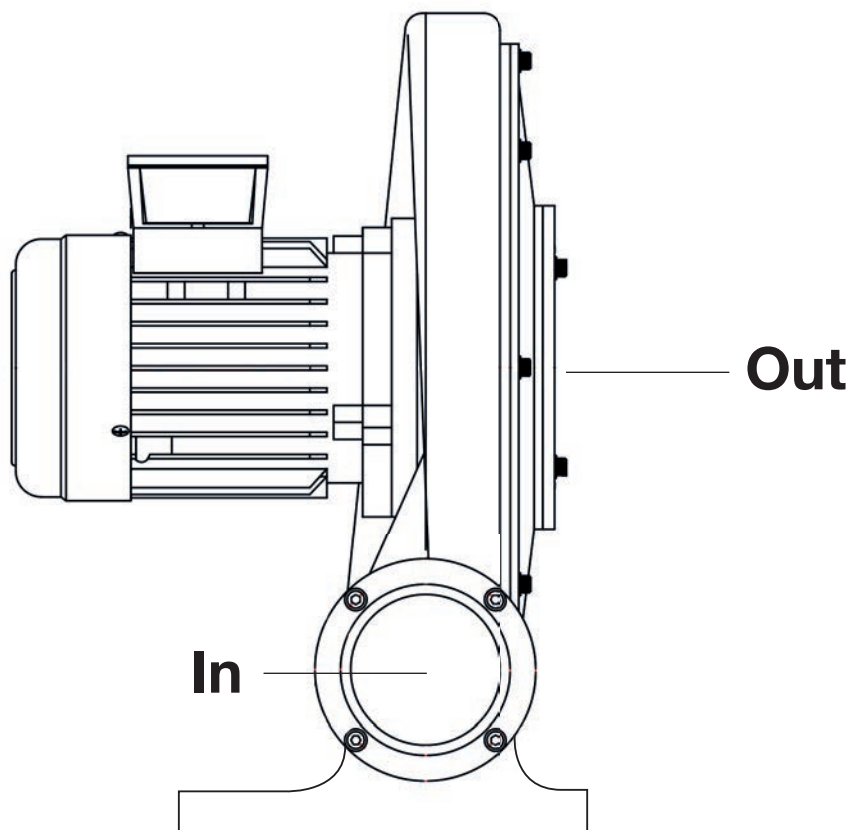


Turboblowers

Function

Turboblowers are specially designed for large flow, low noise and high efficiency. They are made of aluminum. All models are lightweight models and are especially good at running hot and are therefore suitable for continuous operation. The rotor blades are specifically balanced so that they rotate stably at high speeds and with very low vibration.

Turboblowers are used in e.g. wood-working machinery, destruction furnaces, dryers, hot airblowers, plastic separators, laminating, film machinery, textile machinery, grain elevators, breads, printing machines and machines for the refrigeration industry.

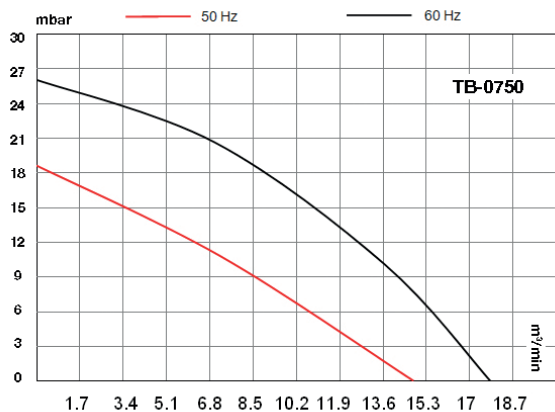
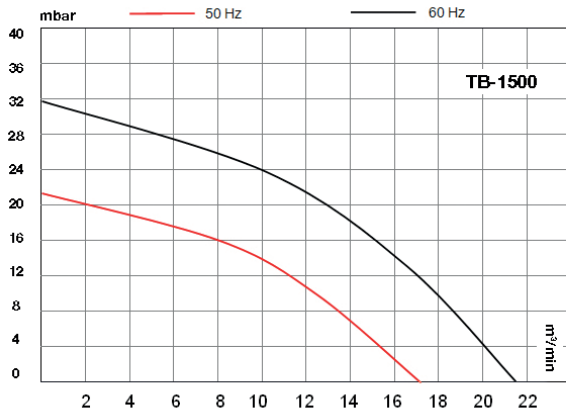
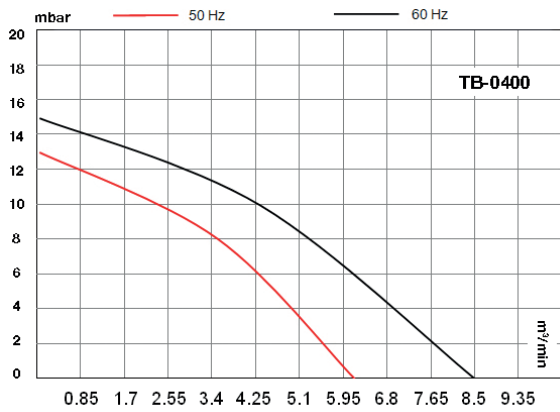




Specifications (TB)

Turboblowers TB-0400/0750/1500

Type no.		TB-0400	TB-0400	TB-0750	TB-0750	TB-1500	TB-1500
Phases		3	1	3	1	3	1
Output kW	50 Hz	0.4	0.4	0.75	0.75	1.75	1.75
	60 Hz	0.5	0.5	0.85	0.85	1.9	1.9
Frequency		50/60	50/60	50/60	50/60	50/60	50/60
Voltage V (Δ/Y)		230/400	230	230/400	230	230/400	230
Current Amp (Δ/Y)		2.1/1.2	3.6	3.3/1.9	5.7	6.5/3.8	11.2
Pressure m/bar	50 Hz	13.0	13.0	18.5	18.5	21.5	21.5
	60 Hz	15.0	15.0	26.5	26.5	32.0	32.0
Airflow m ³ /min	50 Hz	6	6	15	15	17	17
	60 Hz	8	8	18	18	21	21
Outlet		3" (Ø75)	3" (Ø75)	4" (Ø100)	4" (Ø100)	4" (Ø100)	4" (Ø100)
Noise level dB	50 Hz	57	57	65	65	74	74
	60 Hz	70	70	80	80	90	90
Weight kg		18	18	30	30	40	40

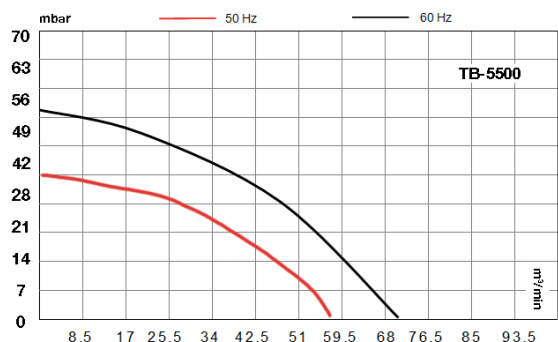
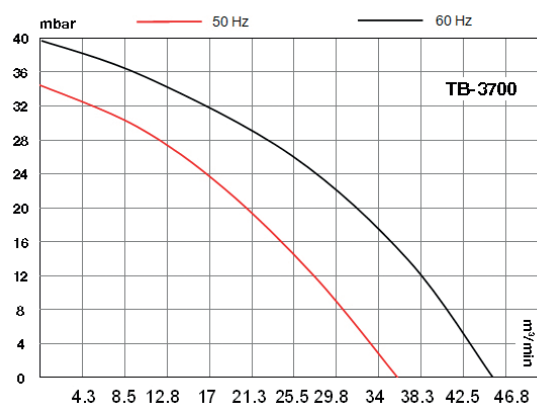
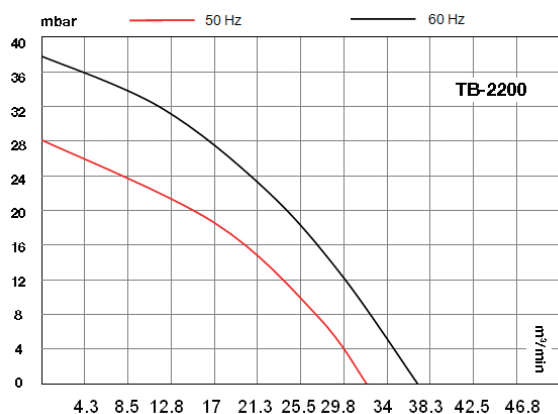


Specifications (TB)

Turboblowers TB-2200/3700/5500

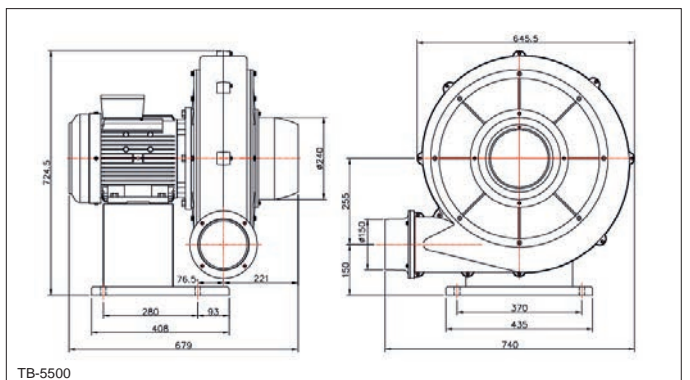
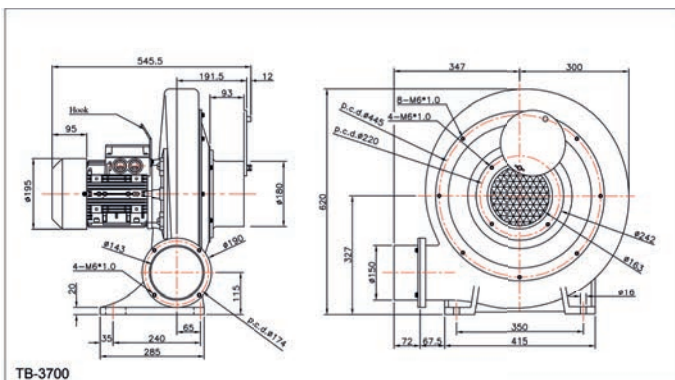
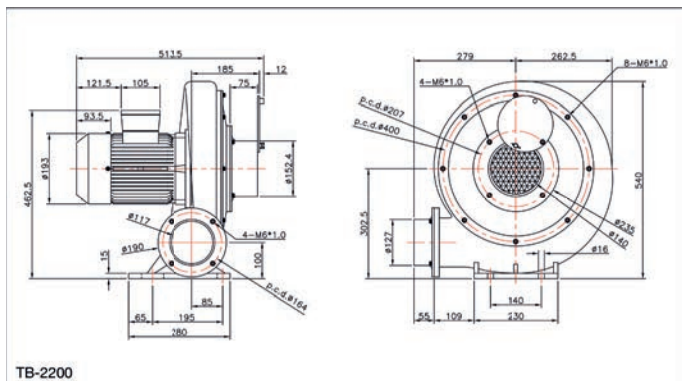
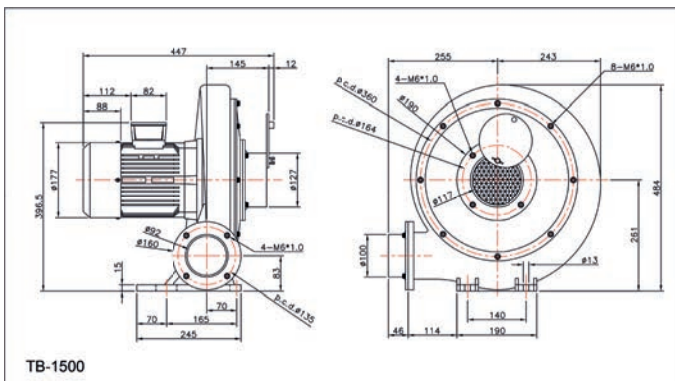
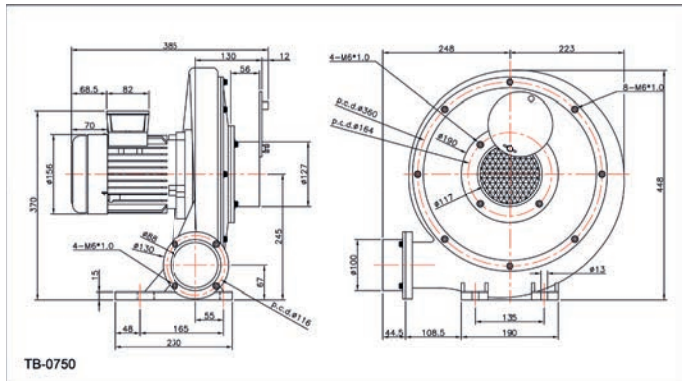
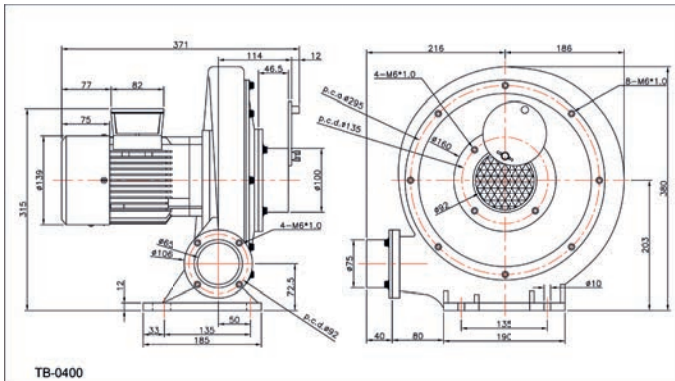
Type no.		TB-2200	TB-3700	TB-5500
Phases		3	3	3
Output kW	50 Hz	1.9	3.4	5.5
	60 Hz	2.2	3.7	6.3
Frequency		50/60	50/60	50/60
Voltage V (Δ/Y)		230/400	230	230/400
Current Amp (Δ/Y)		8.7/5	14/8	18/10.4
Pressure m/bar	50 Hz	28.5	35.0	42
	60 Hz	38.0	40.0	50
Airflow m ³ /min	50 Hz	33	35	58
	60 Hz	38	45	70
Outlet		5" (Ø125)	6" (Ø150)	6" (Ø150)
Noise level dB	50 Hz	77	80	70
	60 Hz	96	100	90
Weight kg		60	74	82

Type TB-1500/1.5 kW, TB2200/2.2 kW and TB-5500/5.5 kW can be supplied on request with 3-phase IEC-motor in IE2 version.



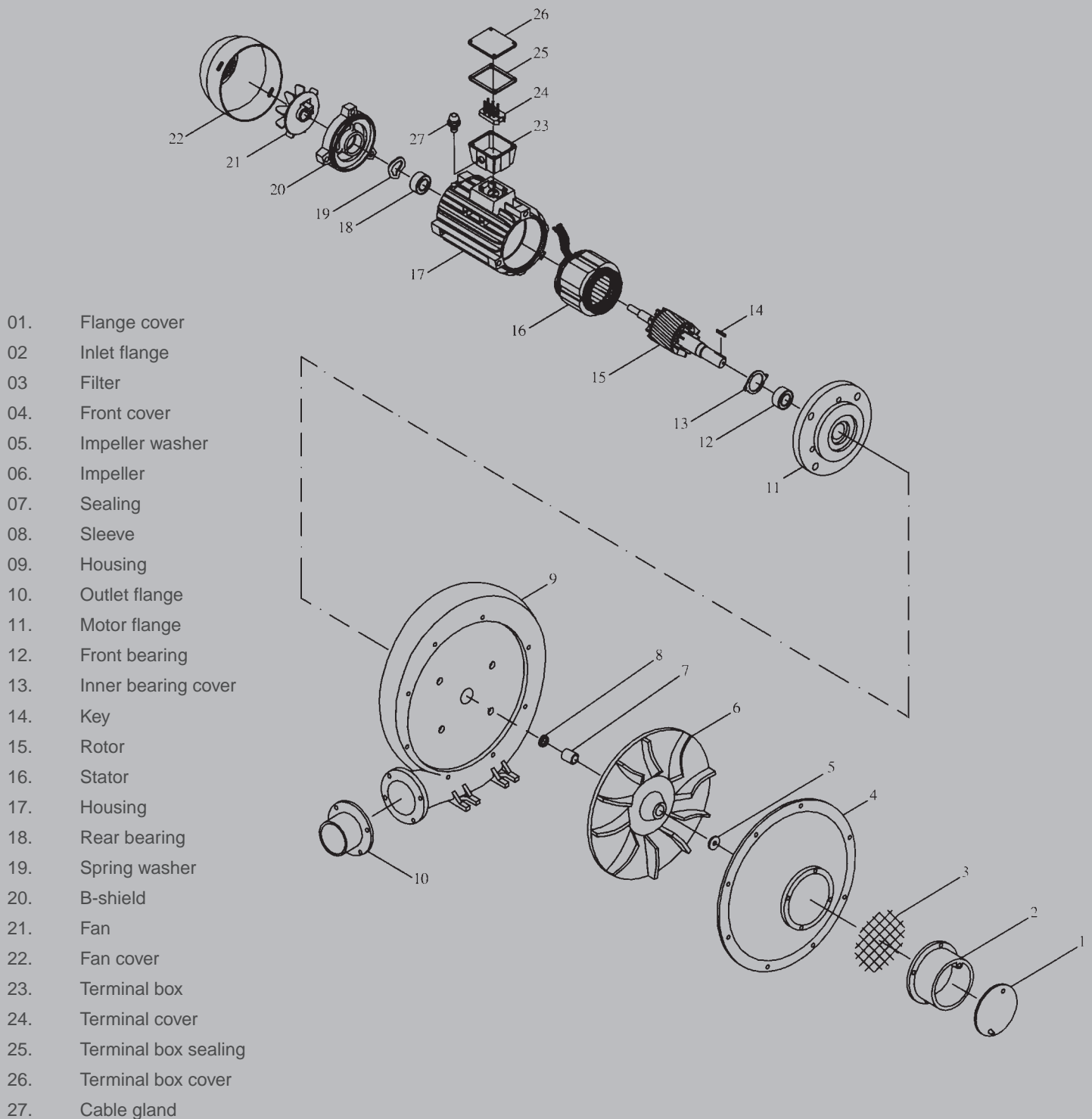
Dimensions

Turboblower TB-series




Turboblower

Exploded view and parts list



KLEE blower®

KB-120L 

1 PHASE 2 POLES IP54

ISO cl. F

SER. NO. 1000000000

230V 1.7A

50Hz

Ø 20kW COSφ

230V 1.8A

2820 rpm

Ø 25kW COSφ

60Hz

3320 rpm



Danish



Make it easy

Dedicated distributors in Denmark and the Nordics, along with subsidiaries in Asia.

Webshop

www.klee.dk with online stock data, product catalogues, dimension drawings etc.

Request personal login for ordering.

2D/3D drawings

Free download from www.klee.dk

24/7

At Klee we offer ordering and delivery around the clock.

Outside normal office hours we charge a fee for support and order handling.

100 % quality

ISO 9001:2015 and quality control at our production sites.

People and environment

We make demands on ourselves and our suppliers to treat people and environment properly.

Newsletter

Subscribe today at www.klee.dk/en for product news, trade fair invitations etc.

EDI

We offer EDI for ordering etc.

”At Brd. At Klee, you can order and have your goods delivered around the clock – all year round.”





More info at www.klee.dk

Dealer:

Brd. Klee A/S

Gadagervej 11
DK-2620 Albertslund
Phone (+45) 43 86 83 33
Fax (+45) 43 86 83 88
klee@klee.dk
www.klee.dk